

xiaomi Robot Vacuum X10+ User Manual · 1

Xiaomi 掃拖機器人 X10+ 使用說明書 · 18

Xiaomi من X10+ الروبوت الكهربية المكنسة المستخدم دليل · 34



Safety Information

Read this manual carefully before use, and retain it for future reference.

Usage Restrictions

- This product is for floor cleaning in a home environment only. Do not use it outdoors, on non-floor surfaces, or in a commercial or industrial setting.
- This appliance can be used by children aged from 8 years and above and persons with reduced physical, sensory or mental capabilities or lack of experience and knowledge if they have been given supervision or instruction concerning use of the appliance in a safe way and understand the hazards involved. Children shall not play with the appliance. Cleaning and user maintenance shall not be made by children without supervision.
- The appliance is only to be used with the power supply unit provided with the appliance.
- This appliance contains batteries that are only replaceable by skilled persons.
- Children shall not play with this product. Ensure children and pets are kept at a safe distance from the robot vacuum while it is operating.
- If the power cord is damaged, it must be replaced by a special cord or assembly available from the manufacturer or its service agent.

-
- Do not use the robot vacuum in an area suspended above ground level without a protective barrier.
 - Do not place the robot vacuum upside down. Do not move the robot vacuum by using its LDS laser sensor cover, cover, or bumper as a handle.
 - Do not use the robot vacuum at an ambient temperature above 40°C or below 0°C or on a floor with liquids or sticky substances.
 - Do not install, charge, or use this robot vacuum outdoors, in bathrooms, or near a pool.
 - A hazard may occur if the appliance runs over the supply cord.
 - Remove fragile or small items from the floor to prevent the robot vacuum from bumping into and damaging them.
 - Keep the cleaning tool out of reach of children.
 - Do not place children, pets, or any item on top of the robot vacuum regardless of whether it is stationary or moving.
 - Keep hair, fingers, and other body parts away from the suction opening of the robot vacuum.
 - Do not use the robot vacuum to clean any burning substances.

-
- Do not vacuum up hard or sharp objects.
 - The plug must be removed from the socket-outlet before cleaning or maintaining the appliance.
 - Do not wipe the robot vacuum or the omni station with a wet cloth or rinse them with any liquid. After cleaning washable parts, fully dry the parts before reinstalling and using them.
 - Make sure the robot vacuum is turned off when being transported and kept in its original packaging if possible.
 - Please use this product in accordance with the instructions in the user manual. Users are responsible for any loss or damage arising from improper use of this product.

Batteries and Charging

WARNINGS:

- Do not use any third-party battery, power cord, or omni station. The robot vacuum can only be used with the model JZ2202 omni station.
- No action needed from users to shift the omni station between 50 Hz and 60 Hz, and the product can adapt itself for both 50 Hz and 60 Hz.

-
- Do not dismantle, repair, or modify the battery or the omni station on your own.
 - Do not place the omni station near a heat source.
 - Do not use a wet cloth or wet hands to wipe or clean the omni station's charging contacts.
 - If the robot vacuum will not be used for an extended period, fully charge it, then turn it off and store in a cool, dry place. Recharge the robot vacuum at least once every 3 months to avoid over-discharging the battery.
 - The lithium-ion battery pack contains substances that are hazardous to the environment. Before disposing of the robot vacuum, please first remove the battery pack, then discard, or recycle it in accordance with local laws and regulations of the country or region it is used in.
 - When removing the batteries from the product, it is better to use up the batteries and make sure your product is disconnected from power.
 - 1). Uninstall the screw on the bottom, then remove the cover.
 - 2). Unplug the battery connector, then remove the batteries. Do not damage the battery case to avoid any risk of injuries.
 - 3). Return the batteries to a professional recycling organization.

Laser Safety Information

- The laser sensor in this product meets the IEC 60825-1: 2014 and EN 60825-1:2014/A11:2021 Standard for Class 1 laser products. Please avoid direct eye contact with it during use.

CLASS 1 LASER PRODUCT

CONSUMER LASER PRODUCT

EN 50689:2021



Before use, read the instructions.



For indoor use only.

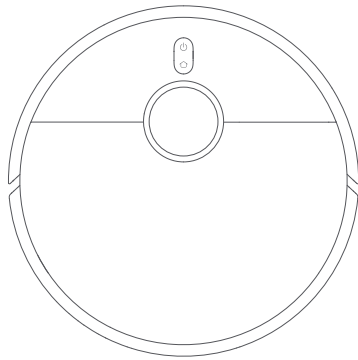
EU Declaration of Conformity

CE Hereby, Dreame (Tianjin) Information Technology Co., Ltd. declares that the radio equipment type B101GL is in compliance with Directive 2014/53/EU. The full text of the EU declaration of conformity is available at the following internet address:
<http://www.mi.com/global/service/support/declaration.html>

PSTI Declaration of Conformity

The product is in compliance with UK PSTI regulations, the full text of declaration of conformity is available at the following internet address:
<https://www.mi.com/global/service/support/declaration.html>
For detailed e-manual, please go to www.mi.com/global/service/userguide

Product Overview



Robot Vacuum

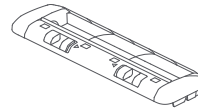
Note: Illustrations of product, accessories, and user interface in the user manual are for reference purposes only. Actual product and functions may vary due to product enhancements.

Accessories

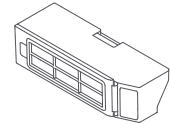
Pre-installed Accessories



Brush



Brush Cover



Dust Compartment

Other Accessories



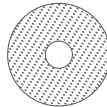
Cleaning Tool



Disposable Bag
(Replacement)



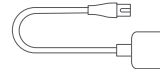
Side Brush



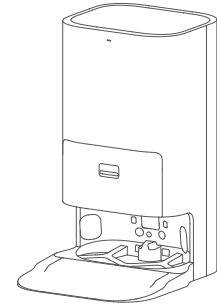
Mop Pad × 2
(Pre-installed)



Mop Pad Holder × 2

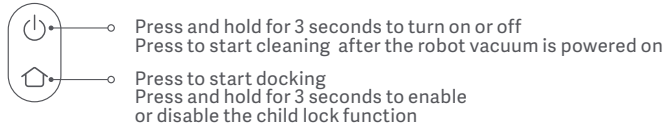
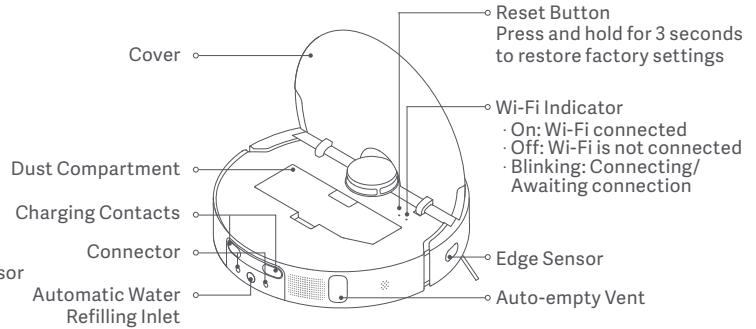
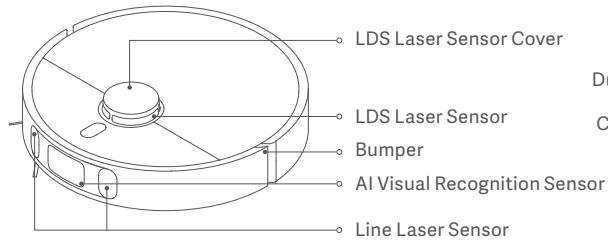


Power Cord



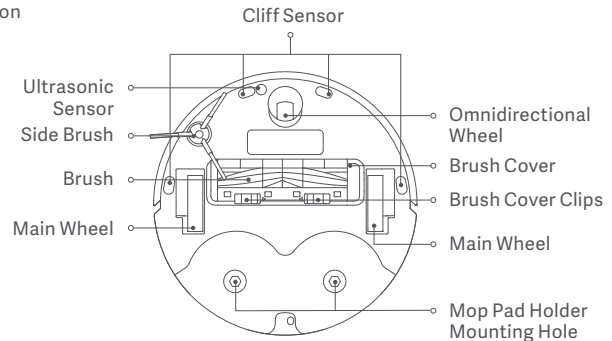
Omni Station
(disposable bag, clean water tank, dirty water tank, and cleaning tray included)

Robot Vacuum and Sensors

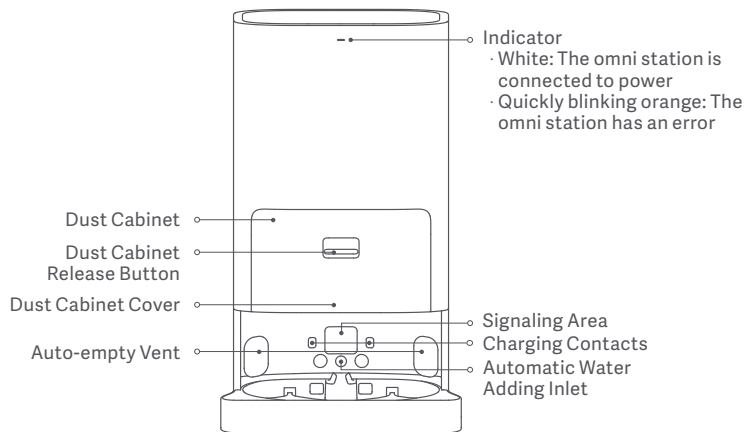
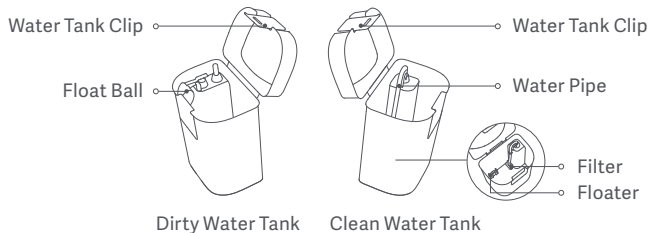
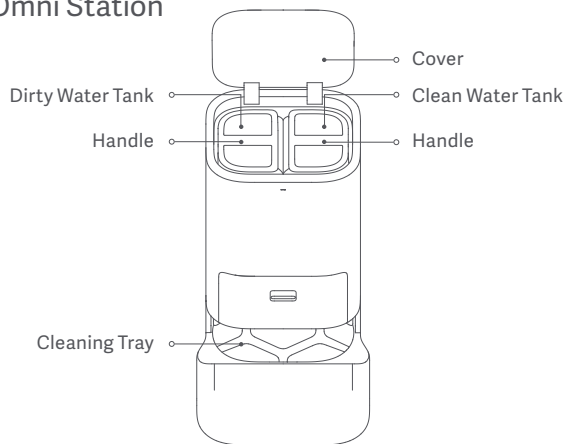


Indicator




White:	Cleaning/Cleanup completed/Fully charged
Blinking white:	Returning to the station to charge/Repositioning/Updating firmware/Awaiting connection/Connecting to Wi-Fi
Breathing white:	Charging
Blinking orange:	Error
Orange:	Wi-Fi disconnected



Omni Station



Omni Station Buttons

-  **Leave Button**
Press to make the robot vacuum leave the omni station.
-  **Clean Button**
Press to make the robot vacuum clean all areas.
-  **Dry Button**
Press to make the omni station start or stop drying the mop pads.

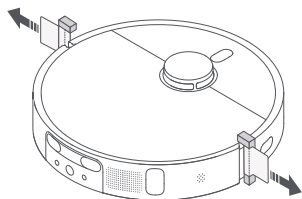
Notes:

- The buttons on the omni station will work only when the robot vacuum is connected to the station.
- Before cleaning or maintaining the cleaning tray and the omni station, remove the robot vacuum from the omni station.

How to Install

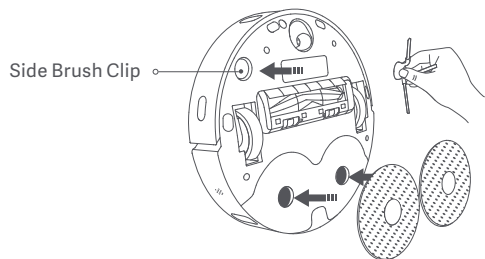
Remove Protective Coverings

Before using the robot vacuum, remove the protective strips from both sides.



Install the Side Brush and the Mop Assembly

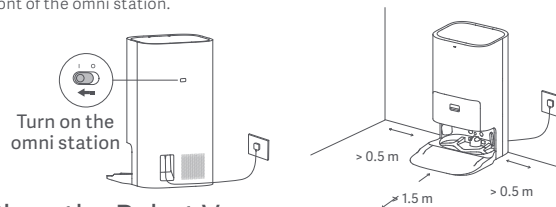
Install the side brush onto the clip on the bottom of the robot vacuum, and then install the mop assembly into the mounting holes.



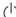
Place the Omni Station

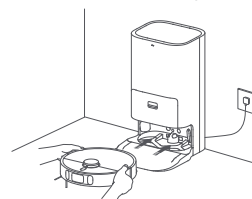
Place the omni station near an electrical outlet in an area with a good Wi-Fi signal. Then connect the station to power.

Note: Do not place any items within the range of 0.5 m at either side or within 1.5 m in front of the omni station.



Place the Robot Vacuum

Press and hold the button  on the robot vacuum for 3 seconds to turn it on. Place the robot vacuum on the omni station with the mop assembly facing towards the cleaning tray on the station. Then you will hear a voice notification when the robot vacuum successfully connects to the station and starts charging.



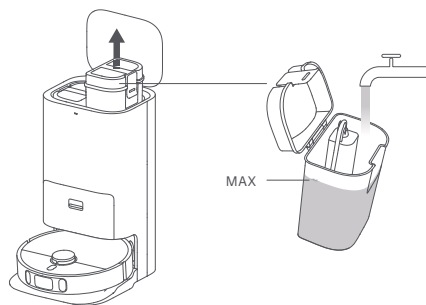
Notes:

- It is recommended to fully charge the robot vacuum before its first use. When the robot vacuum cannot be turned on after the battery is depleted, manually connect the robot vacuum with the omni station to charge it.
- The robot vacuum will not turn off when connected to the omni station.
- When using the robot vacuum for the first time, it is recommended to follow the robot vacuum and remove any obstacles on the ground. If the robot vacuum may get stuck or scratch the surface of the furniture in some areas, you can set restricted areas in the app to prevent the robot vacuum from entering those areas.

How to Use

Add Water to the Clean Water Tank

Fill the clean water tank with clean water up to the maximum water level mark.




CAUTIONS:

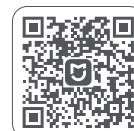
- Do not add water above the maximum water level mark (MAX).
- Do not add hot water to the water tank, as this may cause the tank to become deformed.
- Do not add any cleaning agents or disinfectants to the water tank.

Connect with the Mi Home/Xiaomi Home App

This product works with the Mi Home/Xiaomi Home app*. Use the Mi Home/Xiaomi Home app to control your device, and to interact with other smart home devices.

Scan the QR code to download and install the app. You will be directed to the connection setup page if the app is installed already. Or search for "Mi Home/Xiaomi Home" in the app store to download and install it.

Open the Mi Home/Xiaomi Home app, tap  on the upper right, and then follow the instructions to add your device.



C4576F12



* The app is referred to as Xiaomi Home app in Europe (except for Russia). The name of the app displayed on your device should be taken as the default.

Notes:

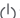

- This robot vacuum works with the Mi Home/Xiaomi Home app, and it supports Android 4.4 & iOS 10.0 or above.
- Only 2.4 GHz Wi-Fi networks are supported.
- The version of the app might have been updated, please follow the instructions based on the current app version.

Reset Wi-Fi

When there is a connection loss between your phone and the robot vacuum due to the router reconfiguration, wrong password or so, please follow the steps below:

1. Open the cover of the robot vacuum so that you can see the Wi-Fi indicator.
2. Simultaneously press and hold the buttons  and  until you hear a voice to indicate that the robot vacuum is waiting for the network configuration.
3. When the Wi-Fi indicator blinks, the Wi-Fi connection has been reset successfully.

Turn On/Off

Press and hold the button  for three seconds to turn on the robot vacuum. The indicator is lit, and then the robot vacuum enters standby mode. When the robot vacuum is paused and not being charged, press and hold the button  for three seconds to turn it off.

Note: When the robot vacuum is charging, it will automatically turn on and cannot be turned off.

Pause

When the robot vacuum is running, press any button to pause it.

Note: Do not lift or move the robot vacuum while it is paused. Otherwise, it may have navigation errors that could prevent the robot vacuum from returning to the omni station or cause the loss of the map.

Resume Cleanup


If the robot vacuum starts running low on battery during a cleaning task, it will automatically return to the omni station to recharge. When the robot vacuum is fully charged, it will resume cleanup where it left off.



Sleep Mode

The robot vacuum will automatically enter sleep mode after it is paused for 10 minutes, and its indicator will go out. To wake it up, press any button on the robot vacuum.

Note: If the sleep time exceeds 12 hours, the robot vacuum will turn off automatically.

Child Lock Settings

To enable or disable the child lock, press and hold the button  on the robot vacuum for three seconds.

When the robot vacuum is connected to the omni station, simultaneously press and hold the buttons  and  on the omni station for three seconds to enable or disable the child lock function. This operation is not applicable during mop pad cleaning and dust emptying.

Note: When the child lock is enabled, the buttons on the robot vacuum and the omni station will be locked.


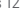
Update the Firmware

You can update the robot vacuum's firmware via the Mi Home/Xiaomi Home app. Before updating, make sure the robot vacuum is on the omni station and its battery level is more than 15%.

Restore Factory Settings



If the robot vacuum does not function properly after being restarted, you can use a pin to press the reset button until you hear a voice to indicate that the robot vacuum is restoring factory settings. This will reset the robot vacuum to its original factory settings.

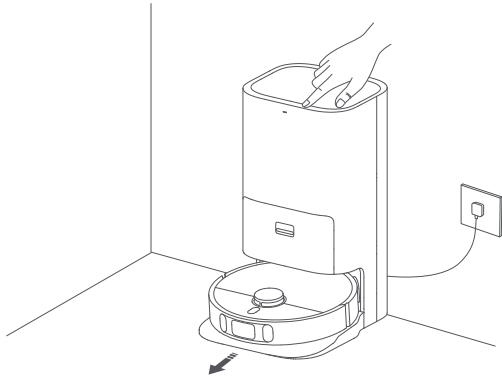
Restart the Robot Vacuum

If the robot vacuum stops responding or cannot be turned off, press and hold the button  for 15 seconds to forcefully turn it off. Then press and hold the button  for 3 seconds to turn the robot vacuum on.

Vacuuming & Mopping

1. Start vacuuming and mopping

Before starting, make sure that the mop assembly is installed onto the robot vacuum. Press the button  on the omni station or  on the robot vacuum, or use the app to make the robot vacuum start from the station. Then the robot vacuum will plan the optimal cleaning route and perform the cleaning task based on the created map.

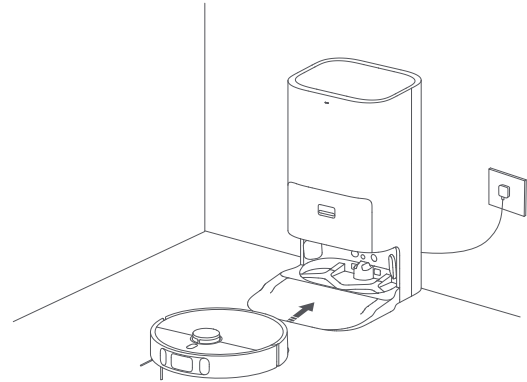


Notes:

- The mop pads will be cleaned before the robot vacuum starts its clean task, please wait with patience.
- Do not move the omni station, the clean water tank, the dirty water tank, or the cleaning tray during its working.
- Remove the mop assembly, and the robot vacuum will automatically use the vacuuming function. You can also select the vacuuming mode via the app if the mop assembly keeps staying on the robot vacuum, and then the mop assembly will be lifted during the cleanup.

2. Automatically return to clean mop pads midway

During the cleanup, the robot vacuum will automatically return to the omni station to wash mop pads after it cleans certain squares of area. Then the omni station will automatically refill the water tank of the robot vacuum, and the robot vacuum will resume the cleanup after water refilling.



3. Clean and dry mop pads after dust emptying

After the robot vacuum finishes a cleaning task and returns to the omni station to charge, the omni station will automatically start emptying the dust compartment, and then clean and dry the mop pads.

4. Clean the dirty water tank

After the robot vacuum has completed automatic cleaning, please clean the dirty water tank to avoid any odor.

Care & Maintenance

Parts

To keep the robot vacuum in good condition, it is recommended to refer to the following table for routine maintenance.

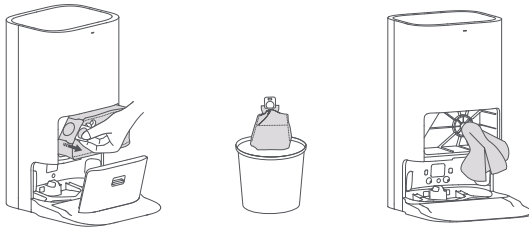
Part	Maintenance Frequency	Replacement Frequency
Dust compartment	Clean as required	/
Filter in the dust compartment	Clean every two weeks	3–6 months
Clean water tank	Clean every two weeks	/
Dirty water tank	Recommended to clean after each use	
Cleaning tray	Clean every month	
Brush	Clean every two weeks	6–12 months
Side brush	Clean every two weeks	3–6 months
Mop pad	Clean every month	1–3 months
Omnidirectional wheel	Clean every month	/
Edge sensor		
LDS laser sensor		
Line laser sensor		
AI visual recognition sensor		
Ultrasonic sensor		

Part	Maintenance Frequency	Replacement Frequency
Cliff sensor	Clean every month	/
Omni station's signaling area		
Robot vacuum's charging contacts		
Omni station's charging contacts		
Bumper		
Auto-empty vents of robot vacuum		
Robot vacuum's automatic water refilling inlet		
Bottom of the robot vacuum		
Omni station		
Auto-empty vents of omni station		
Omni station's air outlet		
Disposable bag	/	Replace as needed

Note: The replacement frequency may differ based on actual conditions. If an error occurs, the part involved should be replaced immediately.

Disposable Bag

1. Press the dust cabinet release button, then tilt the dust cabinet cover downwards to open it. Remove the disposable bag from its handle, and discard the bag.
2. Remove the dust and debris from the filter with a dry cloth.



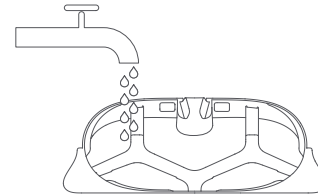
Note: Pulling upwards on the handle will seal the bag to prevent the dust and debris from accidentally falling out.

3. Install the disposable bag as illustrated and insert the handle of the bag into the slot. Make sure the bag is installed securely in place.
4. Close the cover of the dust cabinet. It is secured properly when you hear a click.

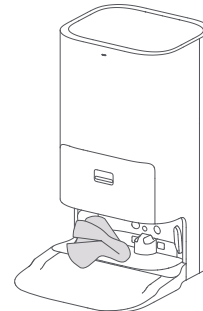


Cleaning tray

1. Remove the cleaning tray, rinse it thoroughly with water, and use a cloth to remove any dirt.



2. Use a dry cloth to wipe clean the area where the cleaning tray is placed, and then reinstall the cleaning tray.

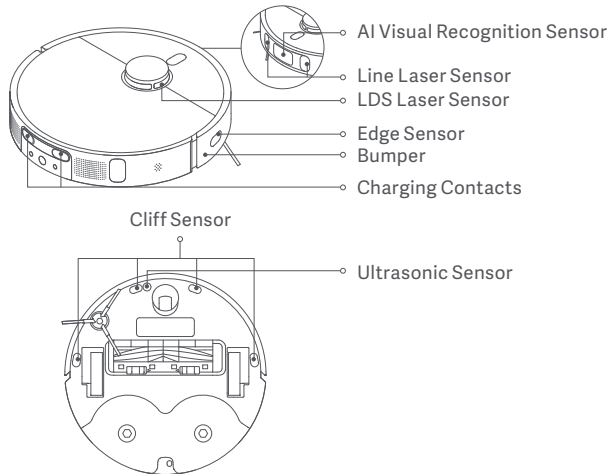


Note: During daily use and cleaning, do not tilt the omni station. If there is excess water in the cleaning tray, use a cloth to wipe the water away.

Sensors and Charging Contacts

Use a soft cloth to clean all sensors and charging contacts in the robot vacuum:

- The cliff sensors and the ultrasonic sensor on the bottom of the robot vacuum.
- The charging contacts on the back of the robot vacuum.
- The edge sensor on the side of the robot vacuum.
- The LDS laser sensor on the top of the robot vacuum.
- The bumper, the AI visual recognition sensor, and the line laser sensors on the front of the robot vacuum.

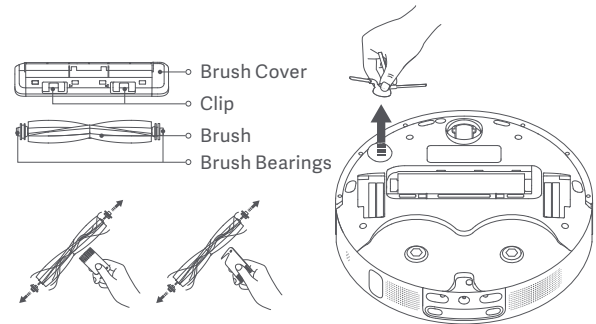


Brush and Side Brush

1. Flip the robot vacuum over and pinch the clips to remove the brush cover.
2. Lift the brush out of the robot vacuum, then clean the brush bearings.
3. Use the included cleaning tool to cut any tangled hairs on the brush, and remove the hairs and other debris from the brush.
4. Remove the side brush upwards to clean it.
5. Reinstall the brush, the side brush and the brush cover, and ensure they are securely in place.

Notes:

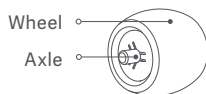
- It is recommended to replace the brush every 6–12 months for optimal cleaning performance.
- It is recommended to replace the side brush every 3–6 months for optimal cleaning performance.



CAUTION: If too much hair is tangled in the brush, or if the hair is tightly tangled, do not forcibly pull on it, as this could damage the brush.

Omnidirectional Wheel

1. Flip the robot vacuum over and pull out the omnidirectional wheel.
2. Remove hair, dirt, and other debris from the wheel and axle.
3. Reinsert the wheel and press it firmly back into place.

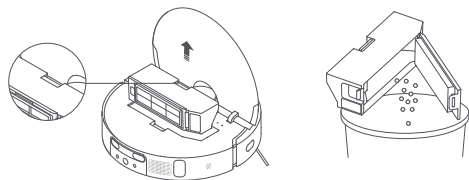


Notes:

- A small screwdriver or other pry tool can be used to gently pop out and remove the wheel.
- The wheel can be cleaned with water and reinstalled after drying.

Dust Compartment

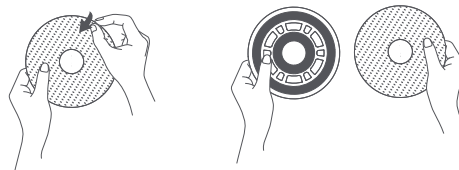
Remove the dust compartment as illustrated. Open the dust compartment cover, and empty out the contents.



Note: To prevent the filter from becoming clogged, lightly tap the dust compartment when emptying its contents.

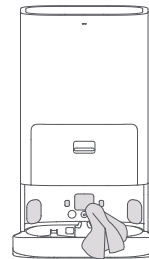
Mop Pad

Remove the mop pad from the mop pad holder to replace it.



Omni Station

Clean the charging contacts, the auto-empty vents, and the signaling area of the omni station with a soft, dry cloth.



Battery

The robot vacuum contains a high-performance lithium-ion battery pack. Please ensure that it remains well-charged during daily use to maintain optimal battery performance.

Note: If the robot vacuum is not used for an extended period, turn it off and put it away. To prevent damage from over-discharging, the robot vacuum should be recharged at least once every three months.

Specifications

Robot Vacuum

Name	Robotic Vacuum Cleaner
Model	B101GL
Item Dimensions	350 × 350 × 97 mm
Li-ion battery	4800 mAh (Rated Capacity)
Charging Time	Approx. 6.5 hours
Net Weight (Robot Vacuum)	3.8 kg
Net Weight (with Accessories)	12.1 kg
Compatible with	Android 4.4 & iOS 10.0 or above
Wireless Connectivity	Wi-Fi IEEE 802.11 b/g/n 2.4 GHz, Bluetooth 4.2
Rated Voltage	14.4 V ---
Rated Power	70 W
Operation Frequency	2400–2483.5 MHz
Maximum Output Power	< 20 dBm

Omni Station

Model	JZ2202
Item Dimensions	423 × 340 × 568 mm
Rated Input	220-240 V~ 50/60 Hz
Rated Output	20 V --- 2 A
Rated Power (during dust emptying)	1000 W
Rated Power (during cleaning)	55 W
Rated Power (drying + charging)	78 W
IP Class	IPX1

Under normal use of condition, this equipment should be kept a separation distance of at least 20 cm between the antenna and the body of the user.

WEEE Disposal and Recycling Information



All products bearing this symbol are waste electrical and electronic equipment (WEEE as in directive 2012/19/EU) which should not be mixed with unsorted household waste. Instead, you should protect human health and the environment by handing over your waste equipment to a designated collection point for the recycling of waste electrical and electronic equipment, appointed by the government or local authorities. Correct disposal and recycling will help prevent potential negative consequences to the environment and human health. Please contact the installer or local authorities for more information about the location as well as terms and conditions of such collection points.

安全須知

使用產品前請仔細閱讀本說明書，並妥善保管。

使用限制

- 本產品僅用於家居環境的地面清潔，請勿用於室外、非地面、商用或工業環境。
- 8 歲及以上兒童，以及上述生理、感知或智力能力不足，或缺乏經驗和知識的人士可以在接受有關安全使用本裝置的監督和指導，並理解本裝置所含風險的情況下使用本裝置。兒童不得將本裝置當作玩具使用。兒童不得在無人監督的情況下清潔本裝置及為其進行用戶維護。
- 請僅使用本產品隨附的全能底座來為本款掃拖機器人充電。
- 本產品的電池僅可由專業人士更換。
- 請勿讓兒童將機器人當成玩具，主機工作時請監督兒童及寵物使其儘量遠離。
- 如果電源軟線損壞，必須使用專用軟線或從其製造商或維修部購買專用的組件更換。
- 請勿在懸空環境且沒有防護欄的情況下使用。
- 請勿將主機倒扣放置。請勿將 LDS 鐳射感應器保護蓋、主機上蓋及碰撞緩衝板作為提手搬運主機。
- 請勿在高於 40°C、低於 0°C 或地面有任何液體及黏稠物的環境下使用。
- 請勿在戶外、浴室或游泳池周圍對產品進行安裝、充電和使用。

-
- 使用前，請先將家中地面線材整理收起，如果在電源線上使用會發生危險。
 - 請收起地面上放置的易碎物品及雜物，避免主機在運作過程中碰撞，導致家中貴重物品損壞。
 - 請勿將清潔工具放置在兒童可觸摸的區域。
 - 請勿將任何物體（包括兒童、寵物）放置於靜止或運動中的主機上。
 - 請勿在主機工作時，讓人體或寵物毛髮、手指等部位靠近機器的吸塵口。
 - 請勿用於清掃任何燃燒中的物體。
 - 請勿讓主機吸取堅硬或尖銳物體。
 - 清潔和維護主機及全能底座前請關機，並將電源插頭拔出。
 - 請勿使用濕布擦拭或任何液體沖洗主機和全能底座；可水洗部件日常清潔後，請充分乾燥後再安裝使用。
 - 如需運輸產品，請確保主機處於關機狀態，並建議使用原包裝盒包裝。
 - 請依照說明書的指示使用本產品，因不當使用導致的任何損失和傷害，皆由用戶自行承擔。
 - 如需要詳細的電子說明書，請瀏覽 www.mi.com/global/service/userguide

電池及充電

警告：

- 請勿使用任何第三方電池、電源線或全能底座，僅可與型號 JZ2202 的全能底座配合使用。
- 產品在50Hz和60Hz之間可以自行適配，使用者不需要進行任何調節操作。
- 請勿私自拆解、修理、改裝電池或全能底座。
- 請勿將全能底座靠近熱源放置。
- 請勿用濕布或濕手擦拭或清理全能底座的充電彈片。
- 如長時間不使用本產品，請充滿電後關閉主機並放置於陰涼乾燥處，至少每 3 個月充電一次，避免電池出現過度放電情況。
- 本產品含有可充電鋰電池組，任意丟棄會對環境造成汙染，請在丟棄本產品前按照以下提示將電池從產品中取出，並作恰當的處置：
 - *拆除電池前請先斷電以及盡可能用完電量，然後轉開機器下方機殼上固定螺絲後取下機殼。
 - *拔掉連接電池的端子後取下電池，注意不要破壞到電池外殼以防止發生危險。
 - *請將取下來的電池交給專業回收機構作處理。

鐳射安全資訊

- 本產品中的鐳射感應器符合 1 類鐳射產品的 IEC 60825-1: 2014 和 EN 60825-1:2014/A11:2021 標準。使用時, 請避免直接照射眼睛。

第 1 類鐳射產品

消費型鐳射產品

EN 50689:2021

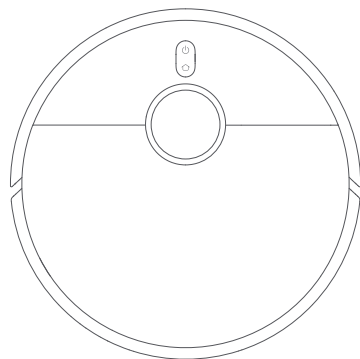
 使用前, 請細閱「使用說明」。

 本產品僅限室內使用。

產品介紹

配置清單

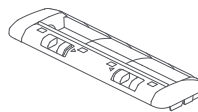
已安裝在主機上的配件:



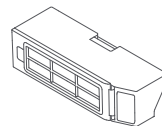
主機



主刷



主刷罩



塵盒

其他配件:



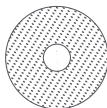
清潔工具



塵袋 (替換裝)



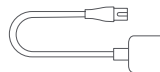
邊刷



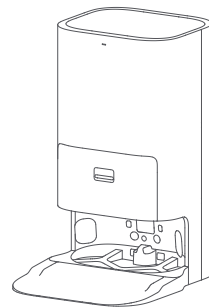
拖布 × 2 (已安裝)



拖布盤 × 2



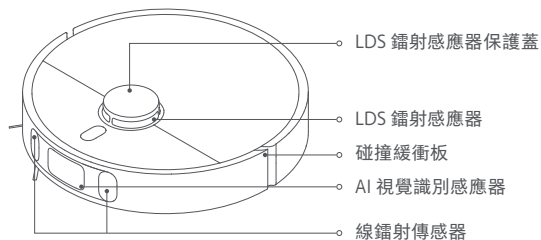
電源線



全能底座
(含塵袋、清水箱、污水箱和清洗盤)

提示：說明書中的產品、配件、使用者介面等插圖均為示意圖，僅供參考。由於產品的更新與升級，產品實物與示意圖可能略有差異，請以實物為準。

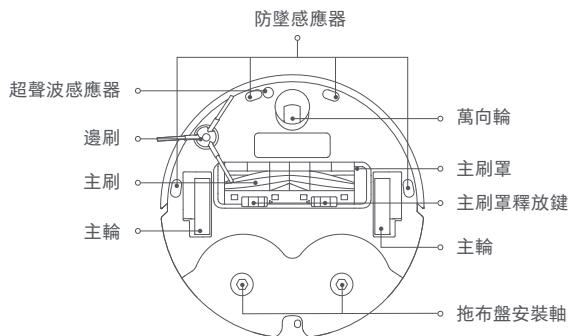
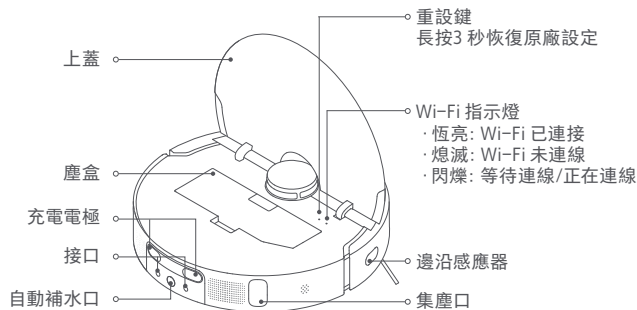
主機及感應器



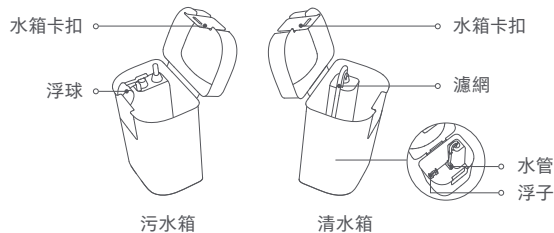
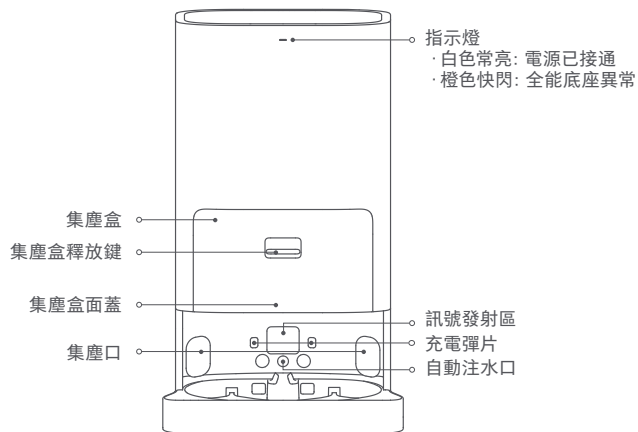
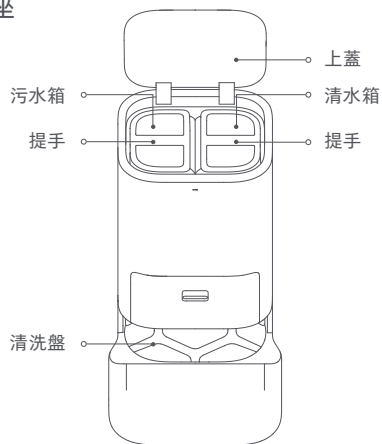
- 長按 3 秒開機 / 關機
開機後, 按一下以啟動清掃
- 按一下以啟動返航充電
長按 3 秒開啟或關閉童鎖

指示燈

白色恆亮:	工作中或工作完成或充電完成
白色閃爍:	回充中 / 重新定位 / 韌體升級中 / 裝置待連接 / Wi-Fi 連接中
白色呼吸:	充電中
橙色閃爍:	異常狀態
橙色恆亮:	Wi-Fi 未連線



全能底座



全能底座按鍵



出倉鍵
短按, 主機退出全能底座



掃拖鍵
短按, 主機啟動全域清掃



烘乾鍵
短按, 全能底座執行或結束拖布烘乾

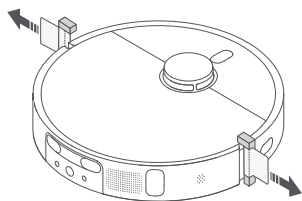
提示:

- 只有主機連接全能底座, 全能底座上的按鍵才會生效; 主機未連接全能底座時, 全能底座上的按鍵則無效。
- 需要清潔維護清洗盤及全能底座時, 可讓主機退出全能底座。

安裝

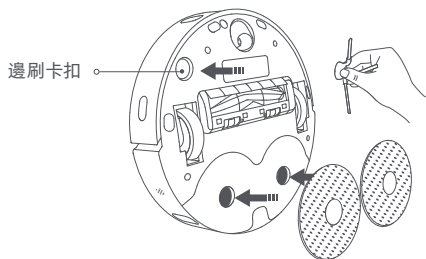
移除防護物

使用前，請務必移除主機兩側的防護物。



安裝邊刷和拖布組件

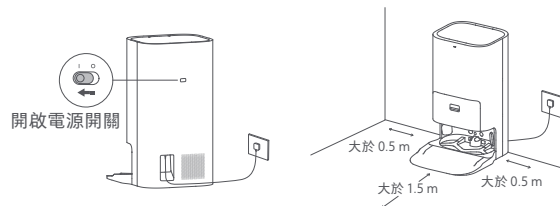
將邊刷安裝到主機底部的卡扣位置並將拖布組件妥善安裝。



放置全能底座

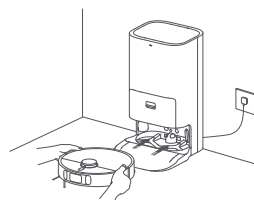
將全能底座放置在靠近電源插座且 Wi-Fi 訊號良好的位置，然後連接電源線。

注意：全能底座左右 0.5 米及前方 1.5 米範圍內不要放置任何物品。



放置主機

使用前，長按主機上的 \odot 鍵 3 秒開機。開機後，將主機放置在全能底座上（主機拖布組件需朝向全能底座清洗盤位置），主機會自動對接。當聽到語音播報開始充電後，即主機已成功連接全能底座。



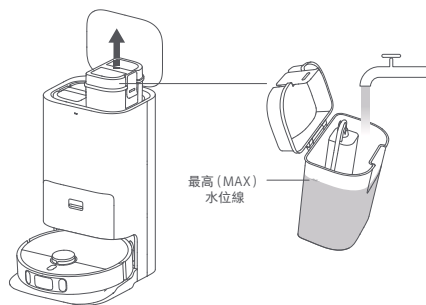
提示：

- 首次使用前，建議充滿電。如果電量因耗盡而無法開機，可以手動連接主機與全能底座來充電。
- 主機連接全能底座時，不會開機。
- 首次使用建議全程跟隨主機，協助清理可能影響主機工作的物品。若某些區域可能卡住主機或主機運行時會刮傷家具表面，可在手機APP中設置禁區，阻止主機進入上述區域。

使用

向清水箱注入清水

向清水箱注入清水至最高水位線。



注意：

- 注水請勿超過最高 (MAX) 水位線。
- 請勿裝入熱水，以免造成水箱變形。
- 請勿加入清潔液或消毒液。

連接米家App

本產品已連接米家，可透過米家App操控，並與其他產品互聯互通。

掃描QR Code，下載並安裝米家App，已安裝米家App的用戶將直接進入裝置連接頁面。或在Google Play商店及Apple App Store搜尋「米家」，下載並安裝米家App。

打開米家App首頁，在頁面右上角點擊 \oplus ，根據App提示方式新增裝置。



C4576F12

提示：



- 本產品連線米家App，支援的手機系統為Android 4.4或iOS 10.0及更高版本。
- 本產品僅支援連線2.4 GHz頻帶的Wi-Fi網絡。
- 由於米家App的升級與更新，實際操作可能與本產品描述略有差異，請按照目前最新米家App版本指引進行操作。

重設 Wi-Fi

由於路由器修改配置、遺忘密碼或其他原因而導致手機無法連線主機時：

1. 請打開主機上蓋，露出Wi-Fi指示燈；
2. 同時長按 \downarrow 鍵與 \uparrow 鍵，直到聽到語音提示等待配置網絡；
3. Wi-Fi指示燈閃爍表示重設成功。

開機/關機

長按  鍵 3 秒開機，電源指示燈常亮，主機進入待機狀態；當主機未充電且暫停時，長按  鍵 3 秒關機。

提示：若主機處於充電狀態時，會自動開機且無法關機。

暫停

主機處於運作狀態時，短按主機上的任意鍵暫停。

提示：暫停期間，建議不要搬起或者移動主機，以免產生定位偏差，導致主機無法回充、地圖遺失等。

斷點續掃

在清掃過程中，當電量過低時，主機會自動返回全能底座充電；充電至合適電量後，主機將會自行返回中斷位置以繼續清掃。


休眠

若暫停時間超過 10 分鐘，主機會自動進入休眠狀態，在休眠狀態下，主機指示燈熄滅，短按主機上的任意鍵即可喚醒主機。

提示：如果休眠時間超過 2 小時，主機將自動關機。

兒童鎖設定

長按主機上的  鍵 3 秒，兒童鎖開啟或關閉。

主機連接著全能底座時，同時長按全能底座的  鍵和  鍵 3 秒（清洗拖布和集塵狀態下不可操作），兒童鎖開啟或關閉。

提示：兒童鎖開啟時，全能底座和主機上的按鍵將會被鎖定。



韌體升級

可在米家App中升級主機韌體，升級前，請確保主機在全能底座上並且電量大於 15%。

恢復原廠設定



若重啟主機後仍無法正常使用，請用工具按住重設鍵 3 秒，直到聽到語音提示開始恢復出廠設定，主機將恢復到出廠狀態。

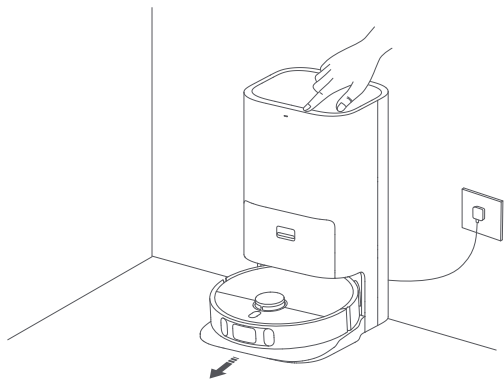
重新啟動系統

當按鍵無回應或無法關機時，請嘗試重設系統，長按  鍵 15 秒，再按  鍵 3 秒重新啟動。

掃拖功能

1. 開始運作

確保主機已安裝拖布組件，短按全能底座上的  鍵或使用App啟動或短按主機上的  鍵，主機將從全能底座出發，根據所建立地圖規劃的最優清潔方案執行拖地任務。

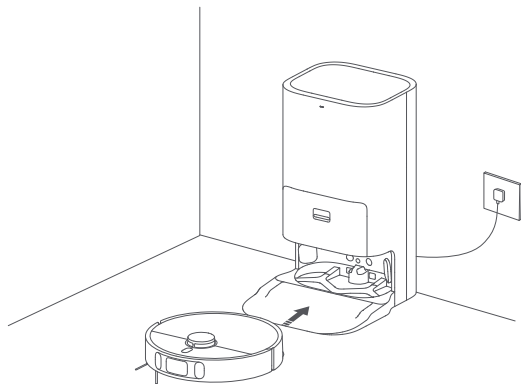


提示：

- 主機出發前會先進行一次清洗拖布的操作，請耐心等待。
- 拖地過程中請勿隨意移動全能底座、清水箱、污水箱及清洗盤。
- 取下拖布組件，主機自動切換為掃地功能；若不取下拖布組件，可在App上選擇掃地模式，主機會自動升起拖布組件啟動工作。

2. 自動中途回洗

拖地過程中，主機將根據已清掃面積自動返回全能底座清洗拖布，返回全能底座後，主機水箱會透過全能底座自動補水，完成後繼續執行清潔任務。



3. 自動集塵後清洗並烘乾拖布

主機完成工作並回充後，全能底座開始自動集塵，然後進行拖布清洗並烘乾。

4. 清理污水箱

主機完成自動清潔後，請及時清理污水箱，以避免產生異味。

日常維護

部件保養

為使主機保持良好狀態，建議參考下表進行日常維護：

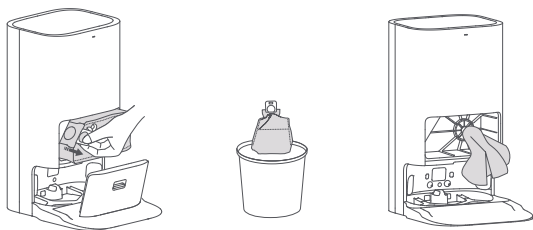
部件	維護頻率	更換頻率
塵盒	按需清理	/
濾網(塵盒上)	每 2 週清洗 1 次	3-6 個月
清水箱	每 2 週清洗 1 次	/
污水箱	建議每次使用後清理一次	
清洗盤	每 1 個月清洗 1 次	
主刷	每 2 週清理 1 次	6-12 個月
邊刷	每 2 週清理 1 次	3-6 個月
拖布	每 1 個月清理 1 次	1-3 個月
萬向輪	每 1 個月清理 1 次	/
邊沿感應器		
LDS 鐳射感應器		
線鐳射傳感器		
AI 視覺識別感應器		
超聲波感應器		

部件	維護頻率	更換頻率
防墜感應器	每 1 個月清理 1 次	/
全能底座訊號發射區		
主機充電極片		
全能底座充電彈片		
碰撞緩衝板		
主機集塵口		
主機自動補水口		
主機底部		
全能底座機身		
全能底座集塵口		
全能底座出風口	/	按需要更換
塵袋		

提示：更換頻率因實際情況而定，如因特殊情況出現異常，應更換部件。

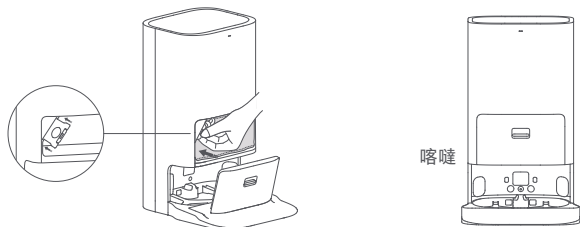
塵袋

1. 按住集塵盒釋放鍵，向下傾斜拉開集塵盒面蓋，將塵袋提手拉出，取出塵袋並丟棄。
2. 用乾抹布將濾網上的灰塵或髒污擦拭乾淨。



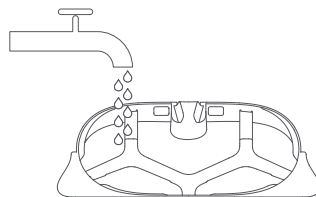
提示：向上拉起塵袋提手將密封塵袋，這可有效防止灰塵或髒物撒落。

3. 按圖示裝入塵袋並將塵袋提手插入卡槽，以確保妥善安裝。
4. 關閉集塵盒，聽到「喀嗒」一聲以確保其完全封閉。

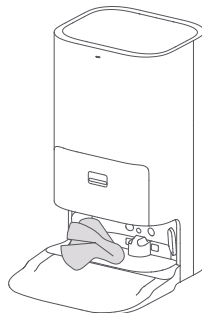


清洗盤

1. 取出清洗盤，徹底沖洗清洗盤，可用抹布將清洗盤上的髒污清理乾淨。



2. 用乾抹布將全能底座底部擦拭乾淨，再裝回清洗盤。

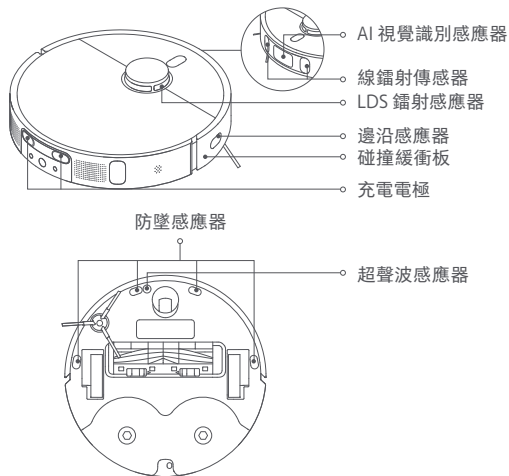


提示：日常使用和清潔時，請勿傾斜全能底座。如果清洗盤中出現積水，可以用抹布擦拭乾淨。

感應器和充電極片

用柔軟乾布擦拭清理主機上的各個感應器和充電極片，包括：

- 主機底部的懸崖感應器和超音波感應器。
- 主機後部的充電極片。
- 主機側邊的邊沿感應器。
- 主機頂部的 LDS 雷射感應器。
- 主機前方的碰撞緩衝板、AI 視覺識別感應器及線雷射感應器。

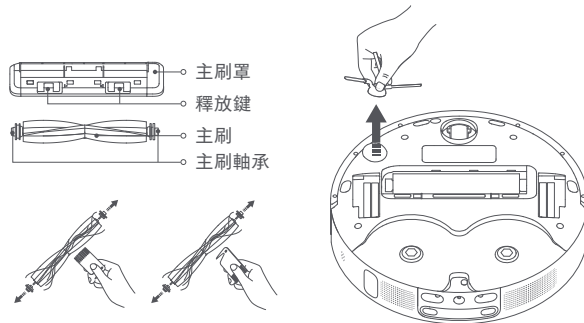


主刷和邊刷

1. 將主機底部朝上，按下主刷罩釋放鍵以取下主刷罩。
2. 向上取出主刷並清理主刷軸承。
3. 用配套的清潔工具割斷主刷上纏繞的毛髮，並清掉雜物。
4. 向上拔出邊刷並清理。
5. 裝回主刷、邊刷和主刷罩並卡牢。

提示：

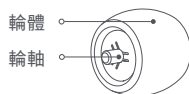
- 每 6-12 個月更換主刷一次，以確保清掃效果。
- 每 3-6 個月更換邊刷一次，以確保清掃效果。



注意：毛髮纏繞過多或過緊時，請勿用力拉拽，以免損壞主刷。

萬向輪

1. 翻轉機器，向上拔出萬向輪。
2. 清理輪體和輪軸上的毛髮和汙物。
3. 重新裝回萬向輪並壓緊。

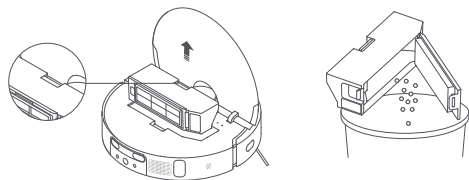


提示：

- 可借助小螺絲刀等工具撬出輪軸，請勿用力過猛。
- 可使用自來水沖洗，晾乾後裝回。

塵盒

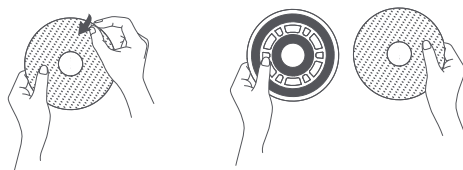
按圖示取出塵盒，打開塵盒蓋並倒出垃圾。



提示：為免濾網堵塞，請在倒垃圾時輕敲塵盒。

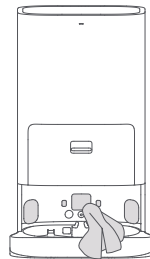
拖布

從拖布盤上取下拖布以進行更換。



全能底座

用柔軟乾布擦拭全能底座的充電彈片、集塵口及訊號發射區。



電池

主機內置高性能鋰離子電池組，為維持電池性能，日常使用時，請將主機保持充電狀態。

提示：若長時間不使用，請充滿電後關機存放，至少每三個月充電一次，避免電池因過度放電而受損。

基本參數

主機

產品名稱	智能吸塵器
產品型號	B101GL
產品尺寸	350 × 350 × 97 mm
鋰離子電池容量	4800 mAh (額定容量)
充電時間	約 6.5 小時
產品淨重 (主機)	3.8 kg
產品淨重 (含配件)	12.1 kg
支援系統	Android 4.4或 iOS 10.0及以上版本
無線連接	Wi-Fi IEEE 802.11 b/g/n 2.4 GHz、藍牙 4.2
額定電壓	14.4 V ---
額定功率	70 W
運作頻率	2400–2483.5 MHz
最大輸出功率	< 20 dBm

全能底座

產品型號	JZ2202
產品尺寸	423 × 340 × 568 mm
額定輸入	220–240 V~ 50/60 Hz
額定輸出	20 V --- 2 A
功率 (集塵狀態)	1000 W
功率 (清洗狀態)	55 W
功率 (烘乾 + 充電)	78 W
防水等級	IPX1

在正常使用條件下，本設備的天線與消費者的身體之間應保持至少20cm的距離。

معلومات السلامة

اقرأ هذا الدليل بعناية قبل الاستخدام واحتفظ به للرجوع إليه مستقبلاً.

قيود الاستخدام

- هذا المنتج مخصص لتنظيف الأرضيات في بيئة منزلية فقط. لا تستخدمه في الخارج أو على الأسطح غير الأرضية أو في بيئة تجارية أو صناعية.
- يمكن للأطفال في سن 8 أعوام أو أكبر استخدام هذا الجهاز، وكذلك من يعانون من إعاقات جسدية أو حسية أو عقلية أو لديهم نقص في الخبرة والمعلومات بشرط الإشراف عليهم أو تزويدهم بتعليمات الاستخدام الآمن للجهاز وفهمهم للمخاطر المتعلقة به. يجب وضع الجهاز بعيداً عن متناول أيدي الأطفال. لا يجوز للأطفال العبث بالجهاز. ولا يجوز للأطفال القيام بأعمال التنظيف أو الصيانة دون إشراف شخص بالغ.
- هذا الجهاز مصمم للاستخدام فقط مع وحدة مزود الطاقة المتوفرة مع الجهاز.
- يحتوي هذا الجهاز على بطاريات لا يمكن استبدالها إلا من قبل أشخاص مختصين.
- يجب ألا يلعب الأطفال بهذا المنتج. تأكد من بقاء الأطفال والحيوانات الأليفة على مسافة آمنة من المكنسة الكهربائية الروبوت أثناء تشغيلها.
- إذا حدث تلف لسلك الطاقة، فيجب استبداله بسلك خاص أو مجموعة خاصة من الشركة المصنعة أو وكيل الخدمة.
- لا تستخدم المكنسة الكهربائية الروبوت في منطقة معلقة فوق مستوى الأرض دون حاجز واقٍ.
- لا تقلب المكنسة الكهربائية الروبوت رأساً على عقب. لا تحرك المكنسة الكهربائية الروبوت باستخدام غطاء مستشعر الليزر LDS أو غطائها أو المصد الملحق بها كـمقبض.

-
- لا تستخدم المكنسة الكهربائية الروبوت عند درجة حرارة محيطية أعلى من 40 درجة مئوية أو أقل من 0 درجة مئوية أو على أرضية عليها سوائل أو مواد لاصقة.
 - لا تقم بتركيب المكنسة الكهربائية الروبوت هذه أو شحنها أو استخدامها في الفسحات الخارجية أو في الحمامات أو بالقرب من حمام السباحة.
 - قد يكون هناك خطر إذا مر الجهاز فوق سلك إمداد الطاقة.
 - قم بإزالة العناصر الهشة أو الصغيرة من الأرض لمنع المكنسة الكهربائية الروبوت من الاصطدام بها وتحطيمها.
 - اجعل أداة التنظيف بعيدة عن متناول الأطفال.
 - لا تضع الأطفال أو الحيوانات الأليفة أو أي شيء أعلى المكنسة الكهربائية الروبوت بغض النظر عن كونها ثابتة أو متحركة.
 - أبقِ الشعر والأصابع وأعضاء الجسم الأخرى بعيدة عن فتحة الشفط الخاصة بالمكنسة الكهربائية الروبوت.
 - لا تستخدم المكنسة الكهربائية الروبوت لتنظيف أي أسطح محترقة.
 - لا تقم بكنس الأجسام الصلبة أو الحادة.
 - قبل التنظيف أو إجراء الصيانة، أوقف تشغيل المكنسة الكهربائية الروبوت والمحطة الشاملة وافصلهما عن الطاقة.
 - لا تمسح المكنسة الكهربائية الروبوت أو المحطة الشاملة بقطعة قماش مبللة أو تشطفهما بأي سائل. بعد تنظيف الأجزاء القابلة للغسيل، قم بتجفيف تلك الأجزاء تمامًا قبل إعادة تركيبها واستخدامها.
 - تأكد من إيقاف المكنسة الكهربائية الروبوت عند نقلها ووضعها في عبوتها الأصلية إن أمكن.

• يرجى استخدام هذا المنتج وفقًا للتعليمات الموجودة في دليل المستخدم. يتحمل المستخدمون مسؤولية أي خسارة أو ضرر ناتج عن الاستخدام غير الصحيح لهذا المنتج.

البطاريات والشحن

تحذير:

- لا تستخدم أي بطارية، أو سلك طاقة، أو محطة شاملة من إنتاج طرف ثالث. لا يمكن استخدام المكنسة الكهربائية الروبوت إلا مع المحطة الشاملة من الطراز JZ2202.
- لا يلزم اتخاذ أي إجراء من المستخدمين لتحويل قاعدة الشحن بين 50 و60 هرتز، ويمكن للمنتج تكييف نفسه لكُلٍّ من 50 و60 هرتز.
- لا تفكّك البطارية أو المحطة الشاملة أو تصلحها، أو تعدلها بنفسك.
- لا تضع المحطة الشاملة بالقرب من مصدر حرارة.
- لا تستخدم قطعة قماش مبللة أو يدين مبللتين لمسح أو تنظيف موصلات شحن المحطة الشاملة.
- إذا لم يتم استخدام المكنسة الكهربائية الروبوت لفترة طويلة، فقم بشحنها بالكامل، ثم أطفئها واحفظها في مكان بارد وجاف. أعد شحن المكنسة الكهربائية الروبوت مرة واحدة على الأقل كل 3 أشهر لتجنب التفريغ الزائد للبطارية.
- تحتوي علبة بطارية ليثيوم أيون على مواد خطيرة على البيئة. قبل التخلص من المكنسة الكهربائية الروبوت، يُرجى أولاً إزالة علبة البطارية، ثم التخلص منها أو إعادة تدويرها وفقًا للقوانين واللوائح المحلية للبلد أو المنطقة التي تستخدم فيها.

- عند إزالة البطاريات من المنتج، يُفضل استنفاد البطاريات والتأكد من فصل الطاقة عن المنتج.
 - (1) قم بفك المسمار الموجود بالأسفل، ثم قم بإزالة الغطاء.
 - (2) افصل موصل البطارية، ثم أزل البطاريات. لا تتلف علبة البطارية لتجنب أي خطر حدوث إصابات.
 - (3) أعد البطاريات إلى شركة متخصصة في إعادة تدوير.

معلومات السلامة من الليزر

- يتوافق مستشعر الليزر في هذا المنتج مع المعيار IEC 60825-1: 2014 ومعيار EN 60825-1:2014/A11:2021 لمنتجات الليزر الفئة 1. تجنب التواصل المباشر بالعين معه أثناء الاستخدام.

منتج الليزر الفئة 1

منتج الليزر المستهلك

EN 50689:2021

اقرأ التعليمات قبل الاستخدام. 

للاستخدام الداخلي فقط. 

للحصول على دليل إلكتروني مفصل، يرجى الانتقال إلى www.mi.com/global/service/userguide

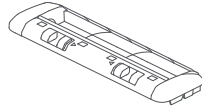
نظرة عامة حول المنتج

الملحقات

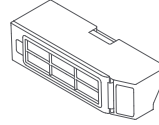
الملحقات المركبة مسبقًا



الفرشاة الرئيسية



غطاء الفرشاة



سلة الغبار

الملحقات الأخرى



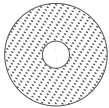
أداة التنظيف



كيس للاستعمال مرة واحدة
(ملحق بديل)



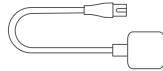
الفرشاة الجانبية



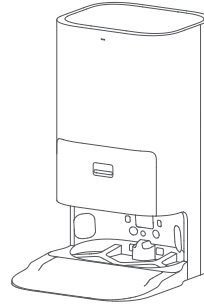
لوحة الممسحة * 2
(مُرغبة مسبقًا)



حامل لوحة الممسحة * 2

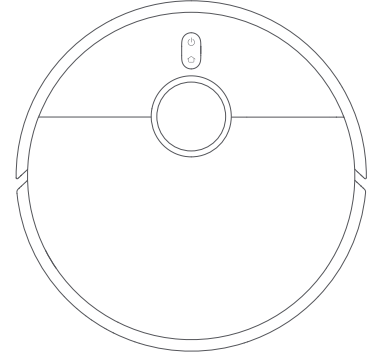


سلك الطاقة



المحطة الشاملة

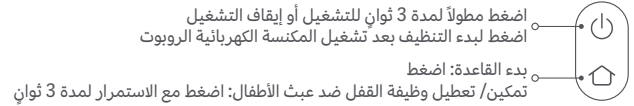
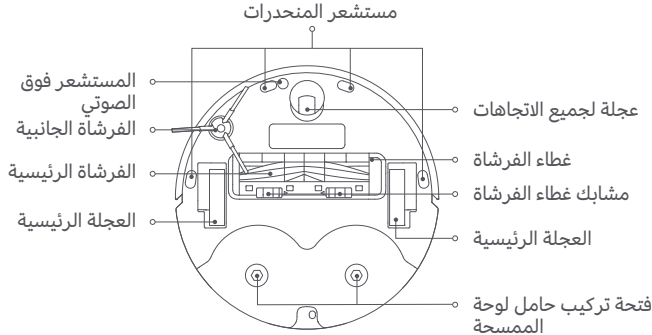
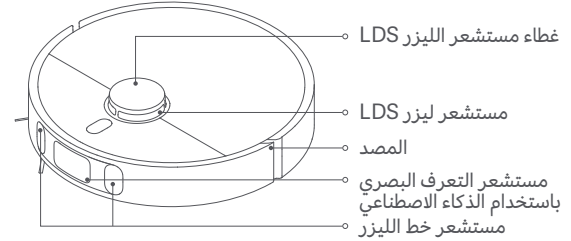
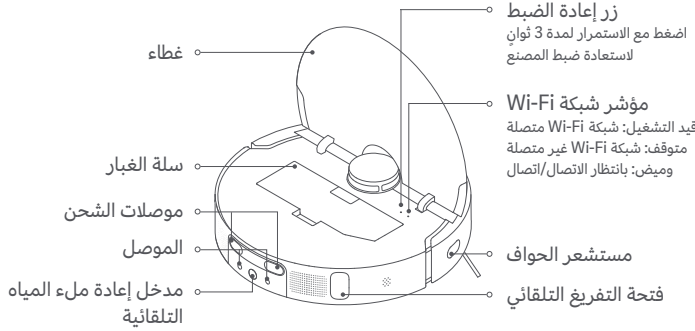
(كيس مخصص للاستعمال مرة واحدة،
وخزان مياه نظيفة، وخزان مياه متسخة،
وصينية تنظيف متضمنة)



المكنسة الكهربائية الروبوت

ملاحظة: الرسوم التوضيحية للمنتج والملحقات وواجهة المستخدم في دليل المستخدم يتم توفيرها كمرجع فقط. وقد يختلف المنتج والوظائف الفعلية بسبب إدخال تحسينات على المنتج.

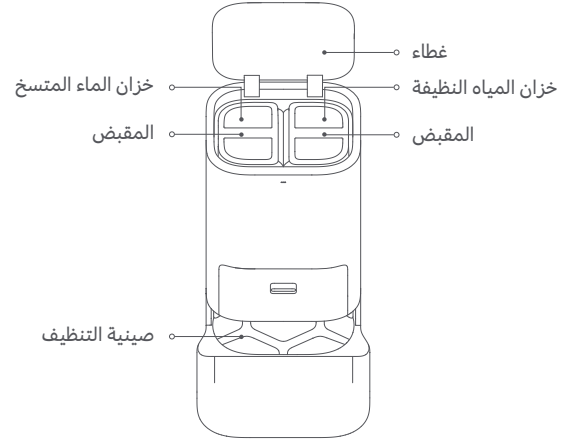
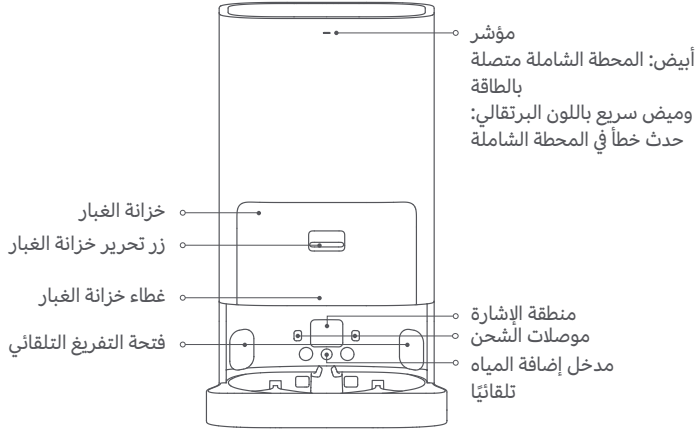
المكنسة الكهربائية الروبوت والمستشعرات



مؤشر

أبيض: اكتمل التنظيف/التطهير/تم الشحن بالكامل
وميض باللون الأبيض: العودة إلى الوحدة للشحن/إعادة التوضع/تحديث البرنامج الثابت/بانتظار الاتصال/الاتصال بشبكة Wi-Fi
وميض بطيء باللون الأبيض: الشحن
وميض باللون برتقالي: خطأ
برتقالي: شبكة Wi-Fi غير متصلة

المحطة الشاملة

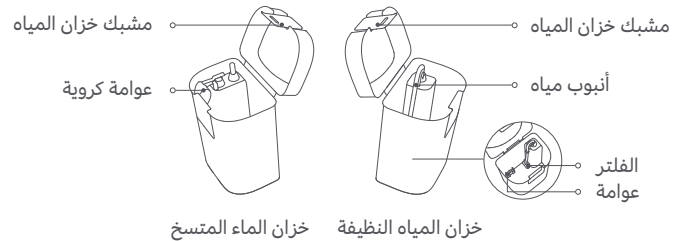


أزرار المحطة الشاملة

- زر المغادرة
اضغط عليه لتمكين المكنسة الكهربائية الروبوت من مغادرة المحطة الشاملة.
- زر التنظيف
اضغط عليه لتمكين المكنسة الكهربائية الروبوت من تنظيف جميع المناطق.
- زر التجفيف
اضغط لتمكين المحطة الشاملة من بدء تجفيف لوحات الممسحة أو التوقف عنه.

ملاحظات:

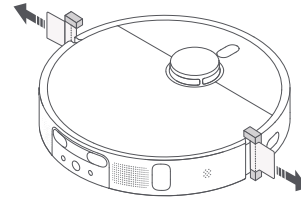
- لن تعمل الأزرار الموجودة في المحطة الشاملة إلا عند توصيل المكنسة الكهربائية الروبوت بالمحطة.
- قبل تنظيف أو صيانة صينية التنظيف والمحطة الشاملة، قم بإزالة المكنسة الكهربائية الروبوت من المحطة الشاملة.



طريقة التركيب

إزالة الأغطية الواقية

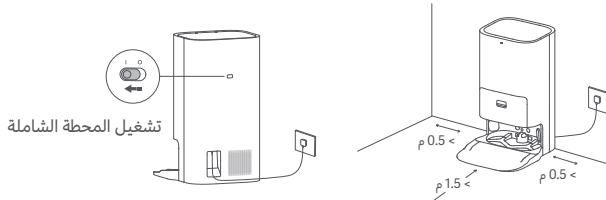
قبل استخدام المكينة الكهربائية الروبوت، قم بإزالة الشرائط الواقية من كلا جانبيها.



وضع المحطة الشاملة

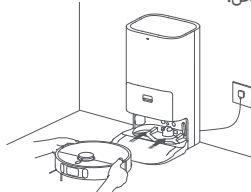
ضع المحطة الشاملة بالقرب من مقبس كهربائي في منطقة بها إشارة Wi-Fi جيدة. ثم قم بتوصيل المحطة بالطاقة.

ملاحظة: لا تضع أي عناصر في نطاق 0.5 متر على أي من الجانبين أو في نطاق 1.5 متر أمام المحطة الشاملة.



وضع المكينة الكهربائية الروبوت

اضغط مع الاستمرار على الزر (1) على المكينة الكهربائية الروبوت لمدة 3 ثوانٍ لتشغيلها. ضع المكينة الكهربائية الروبوت على المحطة الشاملة مع توجيه مجموعة الممسحة نحو صينية التنظيف في المحطة. بعد ذلك سوف تسمع إشعاعًا صوتيًا عندما يتم توصيل المكينة الكهربائية الروبوت بالمحطة بنجاح وتبدأ الشحن.

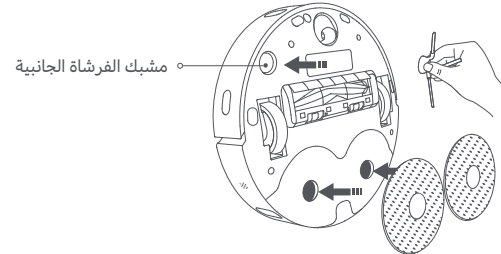


ملاحظات:

- يُستحسن شحن المكينة الكهربائية الروبوت قبل استخدامها لأول مرة. عندما يتعدّد تشغيل المكينة الكهربائية الروبوت بعد نفاذ البطارية، قم بتوصيل المكينة الكهربائية الروبوت يدويًا بالمحطة الشاملة لشحنها.
- لن تتوقف المكينة الكهربائية الروبوت عن التشغيل عند توصيلها بالمحطة الشاملة.
- عند استخدام المكينة الكهربائية الروبوت للمرة الأولى، يوصى بمتابعة المكينة الكهربائية الروبوت وإزالة أي عوائق على الأرض. إذا كان من المحتمل أن تعلق المكينة الكهربائية الروبوت أو تُخدش سطح الأثاث في بعض المناطق، فيمكنك تعيين مناطق محظورة في التطبيق لمنع المكينة الكهربائية الروبوت من دخول تلك المناطق.

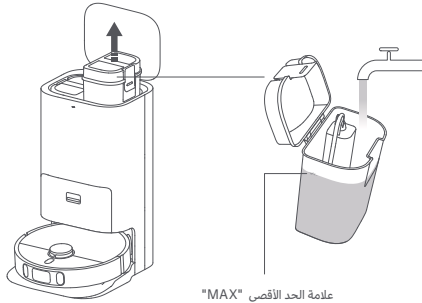
تركيب الفرشاة الجانبية ومجموعة الممسحة

قم بتركيب الفرشاة الجانبية على المشبك الموجود في الجزء السفلي من المكينة الكهربائية الروبوت، ثم قم بتركيب مجموعة الممسحة في فتحات التركيب.



إضافة المياه إلى خزان المياه النظيفة

املاً خزان المياه النظيفة بمياه نظيفة حتى الوصول إلى علامة الحد الأقصى للمياه.



تنبيهات:

- لا تتم بإضافة المياه فوق علامة الحد الأقصى لمستوى المياه (MAX).
- لا تضيف المياه الساخنة في خزان المياه، حيث قد يسبب ذلك تشوه الخزان.
- لا تتم بإضافة أي مواد تنظيف أو مظهرات إلى خزان المياه.

الاتصال بتطبيق Mi Home/Xiaomi Home

يعمل هذا المنتج من خلال تطبيق Mi Home/Xiaomi Home*. استخدم تطبيق Mi Home/Xiaomi Home للتحكم في جهازك، وللتفاعل مع أجهزة المنزل الذكية الأخرى.



C4576F12

امسح كود QR صوتيًا لتنزيل التطبيق وتثبيته. سيتم توجيهك إلى صفحة إعداد الاتصال في حال كان التطبيق مثبتًا بالفعل. أو ابحث عن "Mi Home/Xiaomi Home" في متجر التطبيقات لتنزيله وتثبيته.

افتح تطبيق Mi Home / Xiaomi Home، واضغط على في أعلى الجانب الأيسر، ثم اتبع المطالبات لإضافة جهازك.

* تم الإشارة إلى التطبيق باسم تطبيق Xiaomi Home في أوروبا (عدا روسيا)، وينبغي التعامل مع اسم التطبيق الذي يظهر على جهازك على أنه افتراضي.

ملاحظات:

- تعمل هذه المكنسة الكهربائية الروبوت مع تطبيق Mi Home/Xiaomi Home، وتدعم نظامي التشغيل Android 4.4 و iOS 10.0 أو الإصدارات الأحدث.
- يتم دعم شبكات Wi-Fi 2.4 جيجا هرتز فقط.
- ربما قد تم تحديث إصدار التطبيق، الرجاء اتباع التعليمات استنادًا إلى إصدار التطبيق الحالي.

إعادة ضبط شبكة Wi-Fi

عند وجود انقطاع في الاتصال بين هاتفك والمكنسة الكهربائية الروبوت بسبب إعادة تكوين جهاز التوجيه، أو إدخال كلمة مرور خاطئة، أو نحو ذلك، يُرجى اتباع الخطوات الآتية:

1. يرجى فتح غطاء المكنسة الكهربائية الروبوت بحيث يمكنك رؤية مؤشر شبكة Wi-Fi.
2. اضغط مطولاً على الزرين (⏏) و (⏏) في آن واحد حتى تسمع صوتاً يشير إلى أن المكنسة الكهربائية الروبوت تنتظر تكوين الشبكة.
3. عندما يومض مؤشر Wi-Fi، تم إعادة تعيين اتصال Wi-Fi بنجاح.

تشغيل/إيقاف

اضغط مع الاستمرار على الزر (⏻) لمدة ثلاث ثوانٍ لتشغيل المكنسة الكهربائية الروبوت. يضيء المؤشر، ثم تدخل المكنسة الكهربائية الروبوت في وضع الاستعداد. عند التوقف المؤقت للمكنسة الكهربائية الروبوت وعدم شحنها، اضغط مع الاستمرار على زر (⏻) لمدة ثلاث ثوانٍ لإيقاف تشغيلها. **ملاحظة:** عندما يتم شحن المكنسة الكهربائية الروبوت، سيتم تشغيلها تلقائيًا ولا يمكن إيقاف تشغيلها.

الإيقاف المؤقت

في أثناء عمل المكنسة الكهربائية الروبوت، اضغط على أي زر لإيقافها مؤقتًا. **ملاحظة:** لا ترفع أو تحرك المكنسة الكهربائية الروبوت أثناء إيقافها مؤقتًا. خلاف ذلك، قد تتعرض لأخطاء في التنقل قد تمنع المكنسة الكهربائية الروبوت من العودة إلى المحطة الشاملة أو تسبب في فقدان الخريطة.

استعادة إعدادات المصنع

إذا لم تعمل المكنسة الكهربائية الروبوت بشكل صحيح بعد إعادة تشغيلها، فيمكنك استخدام دبوس للضغط على زر إعادة الضبط حتى تسمع صوتًا يشير إلى أن المكنسة الكهربائية الروبوت تستعيد إعدادات المصنع. سيعيد ذلك ضبط المكنسة الكهربائية الروبوت إلى إعدادات المصنع الأصلية.

وضع السكن

ستدخل المكنسة الكهربائية الروبوت في وضع السكن تلقائيًا بعد أن تتوقف مؤقتًا لمدة 10 دقائق، وسوف ينطفئ مؤشرها. لتنشيطها، قم بالضغط على أي زر في المكنسة الكهربائية الروبوت. **ملاحظة:** إذا تجاوزت وقت السكن 12 ساعة، فسيتم إيقاف تشغيل المكنسة الكهربائية الروبوت تلقائيًا.

إعدادات القفل ضد عبث الأطفال

لتمكن أو تعطيل القفل ضد عبث الأطفال، اضغط مع الاستمرار على الزر (⏻) الموجود في المكنسة الكهربائية الروبوت لمدة ثلاث ثوانٍ. عندما يتم توصيل المكنسة الكهربائية الروبوت بالمحطة الشاملة، اضغط مع الاستمرار في نفس الوقت على الزرين (⏻) و (⏻) الموجودين على المحطة الشاملة لمدة ثلاث ثوانٍ لتمكين أو تعطيل وظيفة القفل ضد عبث الأطفال. لا تنطبق هذه العملية أثناء تنظيف لوحة المسحة وتفريغ الغبار. **ملاحظة:** عندما يتم تمكين القفل ضد عبث الأطفال، سيتم قفل الأزرار الموجودة على المكنسة الكهربائية الروبوت والمحطة الشاملة.

تحديث البرنامج الثابت

يمكنك تحديث البرنامج الثابت للمكنسة الكهربائية الروبوت عبر تطبيق Mi Home/Xiaomi Home. قبل التحديث، تأكد من وجود المكنسة الكهربائية الروبوت على المحطة الشاملة وأن مستوى بطاريتها أكثر من 15%.

استئناف التنظيف

إذا بدأت بطارية المكنسة الكهربائية الروبوت في النفاد أثناء مهمة تنظيف، فستعود تلقائيًا إلى المحطة الشاملة لإعادة الشحن. وبمجرد شحن المكنسة الكهربائية الروبوت بالكامل، تستأنف التنظيف من حيث توقفت.

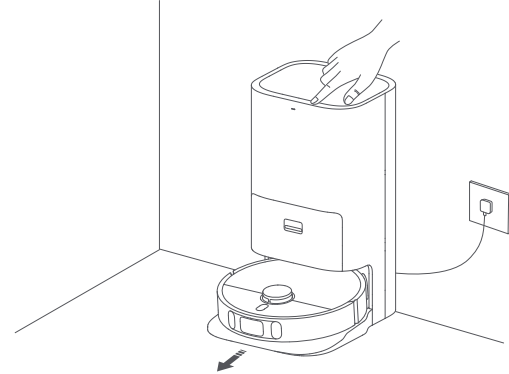
أعد تشغيل المكنسة الكهربائية الروبوت

إذا توقفت المكنسة الكهربائية الروبوت عن الاستجابة أو لا يمكن إيقاف تشغيلها، فاضغط مع الاستمرار على الزر (⏻) لمدة 15 ثوانٍ لفرض إيقاف تشغيلها. بعد ذلك اضغط مع الاستمرار على الزر (⏻) لمدة 3 ثوانٍ لتشغيل المكنسة الكهربائية الروبوت.

الكنس والمسح

1. بدء الكنس والمسح

قبل البدء، تأكد من تركيب مجموعة الممسحة على المكينة الكهربائية الروبوت. اضغط على الزر الموجود على المحطة الشاملة أو على زر (N) على المكينة الكهربائية الروبوت، أو استخدم التطبيق لجعل المكينة الكهربائية الروبوت تبدأ من المحطة. بعد ذلك، ستخطت المكينة الكهربائية الروبوت لمسار التنظيف الأمثل وتؤدي مهمة التنظيف بناءً على الخريطة التي تم إنشاؤها.

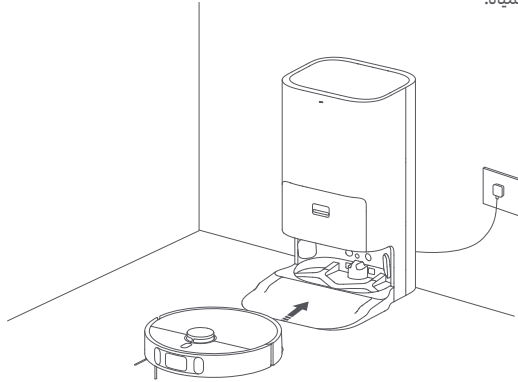


ملاحظات:

- سيتم تنظيف لوحات الممسحة قبل أن تبدأ المكينة الكهربائية الروبوت في مهمتها التنظيفية، يرجى الانتظار بصبر.
- لا تحرك المحطة الشاملة، أو خزان المياه التنظيفية، أو خزان المياه المتسخة أو صينية التنظيف أثناء عملها.
- قم بإزالة مجموعة الممسحة، وسوف تستخدم المكينة الكهربائية الروبوت تلقائيًا وظيفة الكنس. يمكنك أيضًا تحديد وضع الكنس عبر التطبيق إذا استمرت مجموعة الممسحة في البقاء على المكينة الكهربائية الروبوت، وبعد ذلك سيتم رفع مجموعة الممسحة أثناء التنظيف.

2. العودة تلقائيًا لتنظيف لوحات الممسحة في منتصف المسافة

أثناء التنظيف، ستعود المكينة الكهربائية الروبوت تلقائيًا إلى المحطة الشاملة لغسل لوحات الممسحة بعد أن تنظف مربعات معينة من المنطقة. ثم ستعيد المحطة الشاملة ملء خزان المياه للمكينة الكهربائية الروبوت تلقائيًا، وسوف تستأنف المكينة الكهربائية الروبوت التنظيف بعد إعادة ملء المياه.



3. تنظيف وتجفيف لوحات الممسحة بعد تفريغ الغبار

بعد انتهاء المكينة الكهربائية الروبوت من مهمة التنظيف والعودة إلى المحطة الشاملة لشحنها، ستبدأ المحطة الشاملة تلقائيًا في تفريغ حجرة الغبار، ثم تنظيف وتجفيف لوحات الممسحة.

4. تنظيف خزان المياه المتسخة

بعد انتهاء المكينة الكهربائية الروبوت من التنظيف التلقائي، يرجى تنظيف خزان المياه المتسخة لتجنب أي رائحة.

العناية والصيانة

القطع

لحفاظ على المكنتسة الكهربائية الروبوت في حالة جيدة، يُستحسن الرجوع إلى الجدول التالي للصيانة الروتينية.

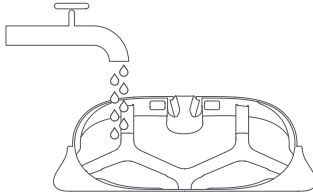
تكرار الاستبدال	تكرار الصيانة	الجزء
/	تنظيف كل شهر	مستشعر المنحدرات
		منطقة إشارة المحطة الشاملة
		موصلات شحن المكنتسة الكهربائية الروبوت
		موصلات شحن المحطة الشاملة
		المصد
		فتحات التفريغ التلقائي للمكنتسة الكهربائية الروبوت
		مدخل إعادة ملء المياه تلقائياً للمكنتسة الكهربائية الروبوت
		الجزء السفلي من المكنتسة الكهربائية الروبوت
		المحطة الشاملة
		فتحات التفريغ التلقائي للمحطة الشاملة
مخرج هواء المحطة الشاملة		
استبدال حسب الحاجة	/	كيس للاستعمال مرة واحدة

ملاحظة: قد يختلف تكرار الاستبدال بناءً على الظروف الفعلية. في حالة حدوث خطأ، يجب استبدال القطعة المعنية على الفور.

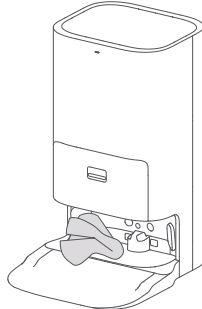
تكرار الاستبدال	تكرار الصيانة	الجزء
/	تنظيف حسب الحاجة	سلة الغبار
3 - 6 أشهر	تنظيف كل أسبوعين	فلتر في حجرة الغبار
/	تنظيف كل أسبوعين	خزان المياه النظيفة
	يوصى بالتنظيف بعد كل استخدام	خزان الماء المتسخ
	تنظيف كل شهر	صينية التنظيف
6-12 شهراً	تنظيف كل أسبوعين	الفرشاة الرئيسية
3 - 6 أشهر	تنظيف كل أسبوعين	الفرشاة الجانبية
1-3 أشهر	تنظيف كل شهر	لوحة الممسحة
/	تنظيف كل شهر	عجلة لجميع الاتجاهات
		مستشعر الحواف
		مستشعر ليزر LDS
		مستشعر خط الليزر
		مستشعر التعرف البصري باستخدام الذكاء الاصطناعي
		المستشعر فوق الصوتي

صينية التنظيف

1. أزل صينية التنظيف واشطفها جيدًا بالماء واستخدم قطعة قماش لإزالة أي أوساخ.



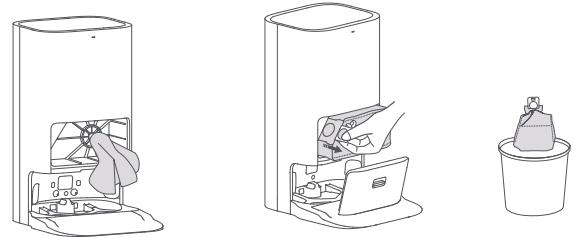
2. استخدم قطعة قماش جافة لمسح المنطقة التي توضع عليها صينية التنظيف، ثم أعد تركيب صينية التنظيف.



ملاحظة: في أثناء الاستخدام والتنظيف اليومي، لا تقم بإمالة المحطة الشاملة. إذا كان هناك ماء زائد في صينية التنظيف، فاستخدم قطعة قماش لتجفيف الماء.

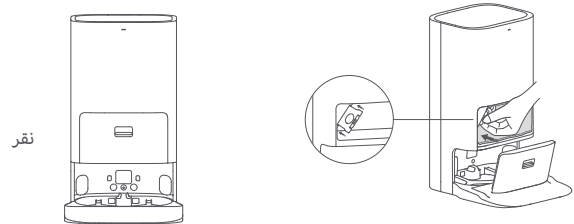
كيس للاستعمال مرة واحدة

1. اضغط على زر تحرير غرفة الغبار، ثم قم بإمالة غطاء غرفة الغبار لأسفل لفتحه. أخرج الكيس المخصص للاستعمال مرة واحدة من مقبضه، وتخلص من الكيس.
2. قم بإزالة الغبار والأوساخ من المرشح باستخدام قطعة قماش جافة.



ملاحظة: سيؤدي سحب المقبض لأعلى إلى إغلاق الكيس المخصص للاستعمال مرة واحدة، لمنع الغبار والأوساخ من السقوط عن طريق الخطأ.

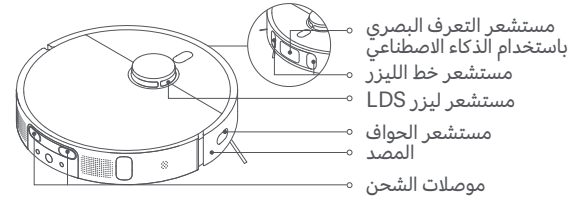
3. قم بتركيب الكيس المخصص للاستعمال مرة واحدة كما هو موضح وأدخل مقبض الكيس في الفتحة. تأكد من تثبيت الكيس بإحكام في مكانه.
4. أغلق غطاء غرفة الغبار. يكتمل تثبيته بشكل صحيح عندما تسمع صوت نقرة.



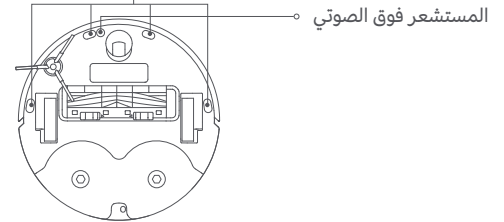
المستشعرات ونقاط اتصال الشحن

استخدم قطعة قماش ناعمة لتنظيف المستشعرات ونقاط اتصال الشحن في المكنسة الكهربائية الروبوت، بما في ذلك:

- توجد مستشعرات المنحدرات والمستشعر بالموجات فوق الصوتية في أسفل المكنسة الكهربائية الروبوت.
- موصلات الشحن موجودة على الجزء الخلفي من المكنسة الكهربائية الروبوت.
- مستشعر الحواف موجود على جانب المكنسة الكهربائية الروبوت.
- يوجد مستشعر ليزر LDS في الجزء العلوي للمكنسة الكهربائية الروبوت.
- المصد، ومستشعر التعرف البصري بالذكاء الاصطناعي، ومستشعرات الليزر الخطية موجودة في مقدمة المكنسة الكهربائية الروبوت.



مستشعر المنحدرات

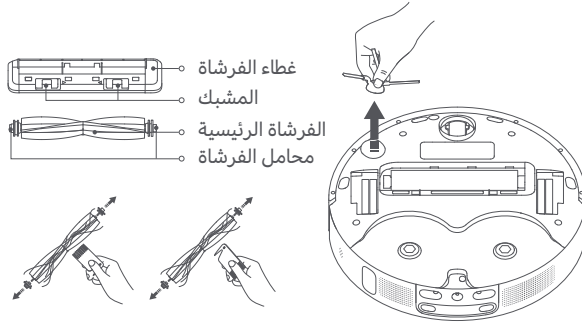


الفرشاة الرئيسية

1. اقلب المكنسة الكهربائية الروبوت واضغط على المشابك لخلع غطاء الفرشاة.
2. ارفع الفرشاة خارج المكنسة الكهربائية الروبوت، ثم قم بتنظيف محامل الفرشاة.
3. استخدم أداة التنظيف المرفقة لقطع أي شعيرات متشابكة على الفرشاة وإزالة الشعر والأوساخ الأخرى من الفرشاة.
4. أزل الفرشاة الجانبية لأعلى لتنظيفها.
5. أعد تثبيت الفرشاة والفرشاة الجانبية وغطاء الفرشاة، وتأكد من وضعها بإحكام في مكانها.

ملاحظات:

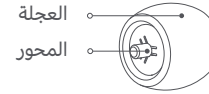
- يوصى باستبدال الفرشاة كل 6-12 شهرًا للحفاظ على أداء التنظيف الأمثل.
- يوصى باستبدال الفرشاة الجانبية كل 3-6 أشهر للحفاظ على أداء التنظيف الأمثل.



تنبيه: إذا كان الكثير من الشعر متشابكًا في الفرشاة، أو إذا كان الشعر متشابكًا بإحكام، فلا تشده بقوة، لأن ذلك قد يؤدي إلى تلف الفرشاة.

عجلة لجميع الاتجاهات

1. اقلب المكنسة الكهربائية الروبوت واسحب عجلة جميع الاتجاهات.
2. قم بإزالة الشعر والأوساخ وغيرها من الحطام من العجلة والمحور.
3. أعد تركيب العجلة واضغط عليها بإحكام في مكانها.

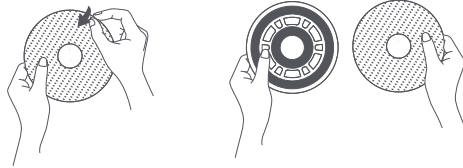


ملاحظات:

- يمكن استخدام مفك براغ صغير أو أداة براغي أخرى لإخراج العجلة برفق وإزالتها.
- يمكن تنظيف العجلة بالماء وإعادة تركيبها بعد التجفيف.

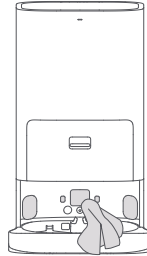
لوحة المسحاة

أزل لوحة المسحاة من حامل لوحة المسحاة لاستبدالها.



المحطة الشاملة

نُظِّف موصلات الشحن، وفتحات التفريغ التلقائي، ومنطقة الإشارة الخاصة بالمحطة الشاملة بقطعة قماش ناعمة وجافة.



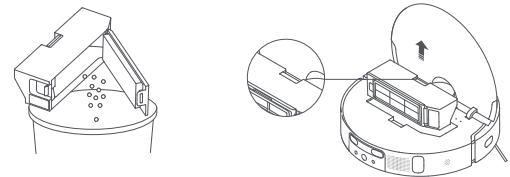
البطارية

تحتوي المكنسة الكهربائية الروبوت على حزمة بطارية ليثيوم أيون عالية الأداء. يرجى التأكد من أنها تظل مشحونة بشكل جيد أثناء الاستخدام اليومي للحفاظ على الأداء الأمثل للبطارية.

ملاحظة: إذا لم يتم استخدام المكنسة الكهربائية الروبوت لفترة طويلة، فقم بإيقاف تشغيلها ووضعها جانباً. لمنع التلف الناتج عن التفريغ الزائد، يجب إعادة شحن المكنسة الكهربائية الروبوت مرة واحدة على الأقل كل ثلاثة أشهر.

سلة الغبار

أزل حجرة الغبار كما هو موضح. افتح غطاء حجرة الغبار وأفرغ المحتويات.



ملاحظة: لمنع انسداد الفلتر، انقر برفق على حجرة الغبار عند تفريغ محتوياتها.

المكنسة الكهربائية الروبوت

الاسم	ممسحة ومكنسة كهربائية روبوت
الطرز	B101GL
أبعاد المنتج	350 × 350 × 97 ملم
بطارية ليثيوم أيون	4800 مللي أمبير/ساعة (السعة المقدرة)
مدة الشحن	6.5 ساعات تقريبًا
الوزن الصافي (المكنسة الكهربائية الروبوت)	3.8 كجم
الوزن الصافي (مع الملحقات)	12.1 كجم
متوافق مع	Android 4.4 و iOS 10.0 أو الإصدارات الأحدث
الاتصال اللاسلكي	Wi-Fi IEEE 802.11b/g/n 2.4 جيجاهرتز، بلوتوث 4.2
الجهد المقدر	14.4 فولت ---
الطاقة المقدرة	70 واط
تردد التشغيل	2400-2483.5 ميغاهرتز
الحد الأقصى لطاقة الخرج	>20 ديسيبل مللي واط

المحطة الشاملة

الطرز	JZ2202
أبعاد المنتج	423 × 340 × 568 ملم
الإدخال المقدر	220-240 فولت ~60/50 هرتز
الإخراج المقدر	20 فولت --- 2 أمبير
الطاقة (أثناء تفريغ الغبار)	1000 واط
الطاقة (أثناء التنظيف)	55 واط
الطاقة (التجفيف + الشحن)	78 واط
تصنيف IP	IPX1

أثناء الاستخدام العادي، يجب إبقاء هذا الجهاز على مسافة لا تقل عن 20 سم بين الهوائي وجسم المستخدم.

معلومات التخلص وإعادة التدوير WEEE

جميع المنتجات التي تحمل هذا الرمز هي نفايات المعدات الكهربائية والإلكترونية (WEEE) وفقًا لتوجيه (EU/2012/19) التي لا ينبغي أن تختلط بالنفايات المنزلية التي لم يتم فرزها. وبدلاً من ذلك، يجب حماية صحة الإنسان والبيئة بتسليم معدات النفايات إلى نقطة تجميع مخصصة معينة من قبل الحكومة أو السلطات المحلية لإعادة تدوير نفايات المعدات الكهربائية والإلكترونية. سيساعد التخلص الصحيح وإعادة التدوير على منع النتائج السلبية المحتملة على البيئة وصحة الإنسان. يرجى الاتصال بشركة التركيب أو السلطات المحلية للحصول على مزيد من المعلومات حول الموقع بالإضافة إلى شروط وأحكام نقاط التجميع هذه.



EU REP.

Xiaomi Technology Netherlands B.V.
Prinses Beatrixlaan 582, 2595BM, The Hague, The Netherlands
contact@support.mi.com

UK REP.

Xiaomi Technology UK Limited
Davidson House, Forbury Square, Reading, Berkshire RG1 3EU
contact@support.mi.com

- For further information, please go to www.mi.com
Manufactured for: Xiaomi Communications Co., Ltd.
Manufactured by: Dreame (Tianjin) Information Technology Co., Ltd.
(a Mi Ecosystem company)
Address: Room 2112-1-1, South District, Finance and Trade Center, No.6975 Yazhou Road, Dongjiang Bonded Port Area, Tianjin Pilot Free Trade Zone, 300463 Tianjin, China

- 委託商：小米通訊技術有限公司
製造商：追覓（天津）信息技術有限公司
(小米生態鏈企業)

製造商地址：天津自貿試驗區(東疆保稅港區)亞洲路 6975 號金融貿易中心南區1-1-2112
(以下訊息僅香港市場適用)

服務電話：852-30773620

本產品售後服務請查詢官網：www.mi.com/hk/service (香港)

• لمزيد من المعلومات، الرجاء الانتقال إلى موقع www.mi.com
تم التصنيع لصالح شركة: Xiaomi Communications Co., Ltd.
الجهة المصنعة: Dreame (Tianjin) Information Technology Co., Ltd.
(إحدى شركات نظام Mi الشامل)

Room 2112-1-1, South District, Finance and Trade Center, No.6975 Yazhou Road, Dongjiang Bonded Port Area, Tianjin Pilot Free Trade Zone, 300463 Tianjin, China العنوان:

Made in China

