

Xiaomi 12V Max Brushless Cordless Drill User Manual · 1

小米智能無刷電鑽使用說明書 · 15

Original instructions

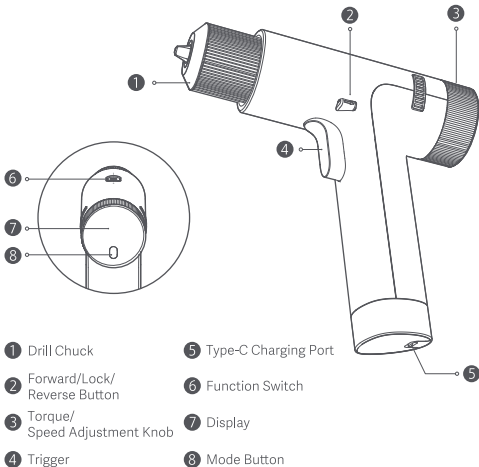


Read this manual carefully before use, and retain it for future reference.

01 Product Overview

Thank you for choosing the Xiaomi 12V Max Brushless Cordless Drill.

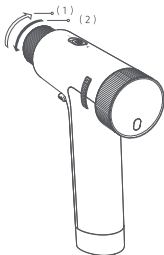
This drill is for tightening and loosening screws, as well as drilling holes in wood, metal, plastic, and bricks. However, it is not suitable for drilling holes in extremely hard materials, such as concrete and stone. Please make sure to select the appropriate drill bit when using the drill.



02 How to Use

Installing Driver Bits/Drill Bits

- Turn the drill chuck in the direction shown by arrow (1) to loosen it until the driver bit/drill bit can be inserted. Then turn in the opposite direction, as shown by arrow (2), to tighten the chuck and secure the driver bit/drill bit in place.
- When installing a bit, make sure that the three jaws in the drill chuck are clamping the bit.



Trigger

- Pressure sensitive multiple speed trigger.
- The more you press it, the faster it goes.

Forward/Lock/Reverse Button

Use the forward/lock/reverse button ② to change the direction of rotation or lock the trigger ④.

- Forward: When drilling or tightening screws, push the forward/lock/reverse button ② to the far left, and "↖" will light up on the display.
- Reverse: When loosening or unscrewing screws, push the forward/lock/reverse button ② to the far right, and the icon "↘" will light up on the display.
- Locking the trigger ④: Move the forward/lock/reverse button ② to the middle, and neither the icon "↖" nor the icon "↘" will be displayed on the screen.

Function Switch

- Screwing: Push the function switch ⑥ to the screw icon "⚙" and press the trigger ④, and the drill will start running at a low speed suitable for tightening and loosening screws.
- Drilling: Push the function switch ⑥ to the drill bit icon "⚡" and press the trigger ④, and the drill will start running at a high speed suitable for drilling holes.

Mode Button

Screwing modes:

- Automatic mode "A"
- Pulse mode "↔"
- Manual torque mode "M": 30 torque levels

Drilling modes:

- Full power mode "A"
- Pulse mode "↔"
- Manual speed mode "M": 30 speed levels



Display

- When the drill is turned on and the forward/lock/reverse button ② is set to the middle position, the display ⑦ will automatically turn off after 10 seconds if no operation is made.
- When the drill is turned on and the forward/lock/reverse button ② is pushed to the left or right, the display ⑦ will automatically turn off after 60 seconds if no operation is made.

Charging

- Low battery: The battery indicator "🔋" will blink red.
- Charging: The battery indicator "🔋" will breathe red.
- Fully charged: The battery indicator "🔋" will be white.

Note: The drill will not work when charging. It has a Type-C charging port, and comes with a USB charging cable.

03 Tips for Beginners

Choosing the Mode

- Manual torque/speed mode “**M**”: It's recommended to start at a lower torque/speed (level 1–5). If the torque/speed isn't high enough, then it can be gradually increased.
- Automatic mode “**A**”: You don't need to adjust the torque, as the drill will automatically stop when it encounters a certain level of resistance (e.g. when a screw has been fully tightened).
- Pulse mode “**⚡**”: The drill will run intermittently at a lower speed, which is suitable for beginners getting used to the drill, as it avoids slipping of the drill bit on the surface you're drilling or screws stripped by the driver bit.

Drilling Tips

- Pre-drilling: To avoid wonky drilling, pre-drill holes by using the drill at a lower speed like level 1–5 or pulse mode.
- Safety: With a high torque, a strong reacting force may be generated when the drill is used to tighten or loosen screws. Therefore, please make sure to hold the drill firmly with both hands.

Screwing

Manual torque mode “**M**”:

You can manually adjust the torque by twisting the torque/speed adjustment knob **3** at the back of the drill as the case may be.

Level 1–15:

- For variable, cracked, or soft materials: It is recommended not to go above level 5 after starting at level 1 to avoid any damage to the device parts as a result of excessive torque.
- For harder materials: It is recommended to start from below level 5, and increase the torque slightly if the drill doesn't rotate.
- When unscrewing, increase the torque gradually if the force is not enough. Levels 1–15 could provide enough torque for all household uses, such as assembling or disassembling flat-pack furniture and repairing items.

Level 16–30:

Suitable for connecting and fixing larger planks, and for use with larger self-tapping screws.

CAUTION: When using levels 16–30, the drill will output a high torque. Thus, please make sure to hold it with both hands to prevent any excessive reacting force that could damage your wrists and ensure safe usage.

Automatic mode "A":

You don't need to adjust the torque, as it will adjust automatically to meet your requirements, and it is suitable for use in unfamiliar scenarios.

Beginners: Automatic torque adjustment makes the drill easy to control. It is recommended to use this mode when there are preset holes. The drill may stop rotating in automatic mode in the case of uneven wood.

Pulse mode "A" (Enhanced safety):

Low speed and intermittent rotation.

- Relatively easy to control and recommended for beginners.
- Reduces slipping of and damage to screws and driver bits.
- Soft materials: Reduce damage to soft materials.

Drilling

Manual speed mode "M":

You can manually adjust the speed by twisting the torque/speed adjustment knob ③ at the back of the drill as the case may be.

- Levels 1–5 are recommended for drilling holes. If the device doesn't run fast enough, gradually increase the level and it will speed up.
- Levels 1–30: The drill will gradually speed up with the increase in the level.

Full power mode "A":

This mode delivers the highest output, equivalent to level 30 in the manual speed mode "M".

Pulse mode "A":

This mode is suitable for surfaces of smooth glass, ceramic tiles, etc. and it is helpful in marking and drilling holes, and avoid slipping (pre-drilling).

CAUTION: This drill couldn't work both manually and automatically and you cannot use it to manually tighten screws. Do not use the drill's inertia to lock the chuck.

04 General Power Tool Safety Warnings

WARNING! Read all safety warnings, instructions, illustrations and specifications provided with this power tool. Failure to follow all instructions listed below may result in electric shock, fire and/or serious injury.

Save all warnings and instructions for future reference.

The term "power tool" in the warnings refers to your mains-operated (corded) power tool or battery-operated (cordless) power tool.

Work Area Safety

- **Keep work area clean and well lit.** Cluttered or dark areas invite accidents.
- **Do not operate power tools in explosive atmospheres, such as in the presence of flammable liquids, gases or dust.** Power tools create sparks which may ignite the dust or fumes.
- **Keep children and bystanders away while operating a power tool.** Distractions can cause you to lose control.

Electrical Safety

- **Power tool plugs must match the outlet. Never modify the plug in any way. Do not use any adapter plugs with earthed (grounded) power tools.** Unmodified plugs and matching outlets will reduce risk of electric shock.
- **Avoid body contact with earthed or grounded surfaces, such as pipes, radiators, ranges and refrigerators.** There is an increased risk of electric shock if your body is earthed or grounded.
- **Do not expose power tools to rain or wet conditions.** Water entering a power tool will increase the risk of electric shock.
- **Do not abuse the cord. Never use the cord for carrying, pulling or unplugging the power tool. Keep cord away from heat, oil, sharp edges or moving parts.** Damaged or entangled cords increase the risk of electric shock.
- **When operating a power tool outdoors, use an extension cord suitable for outdoor use.** Use of a cord suitable for outdoor use reduces the risk of electric shock.
- **If operating a power tool in a damp location is unavoidable, use a residual current device (RCD) protected supply.** Use of an RCD reduces the risk of electric shock.

Personal Safety

- **Stay alert, watch what you are doing and use common sense when operating a power tool. Do not use a power tool while you are tired or under the influence of drugs, alcohol or medication.** A moment of inattention while operating power tools may result in serious personal injury.
- **Use personal protective equipment. Always wear eye protection.** Protective equipment such as a dust mask, non-skid safety shoes, hard hat or hearing protection used for appropriate conditions will reduce personal injuries.
- **Prevent unintentional starting. Ensure the switch is in the off-position before connecting to power source and/or battery pack, picking up or carrying the tool.** Carrying power tools with your finger on the switch or energising power tools that have the switch on invites accidents.
- **Remove any adjusting key or wrench before turning the power tool on.** A wrench or a key left attached to a rotating part of the power tool may result in personal injury.
- **Do not overreach. Keep proper footing and balance at all times.** This enables better control of the power tool in unexpected situations.
- **Dress properly. Do not wear loose clothing or jewellery. Keep your hair and clothing away from moving parts.** Loose clothes, jewellery or long hair can be caught in moving parts.
- **If devices are provided for the connection of dust extraction and collection facilities, ensure these are connected and properly used.** Use of dust collection can reduce dust-related hazards.
- **Do not let familiarity gained from frequent use of tools allow you to become complacent and ignore tool safety principles.** A careless action can cause severe injury within a fraction of a second.

Power Tool Use and Care

- **Do not force the power tool. Use the correct power tool for your application.** The correct power tool will do the job better and safer at the rate for which it was designed.
- **Do not use the power tool if the switch does not turn it on and off.** Any power tool that cannot be controlled with the switch is dangerous and must be repaired.
- **Disconnect the plug from the power source and/or remove the battery pack, if detachable, from the power tool before making any adjustments, changing accessories, or storing power tools.** Such preventive safety measures reduce the risk of starting the power tool accidentally.
- **Store idle power tools out of the reach of children and do not allow persons unfamiliar with the power tool or these instructions to operate the power tool.** Power tools are dangerous in the hands of untrained users.
- **Maintain power tools and accessories. Check for misalignment or binding of moving parts, breakage of parts and any other condition that may affect the power tool's operation. If damaged, have the power tool repaired before use.** Many accidents are caused by poorly maintained power tools.
- **Keep cutting tools sharp and clean.** Properly maintained cutting tools with sharp cutting edges are less likely to bind and are easier to control.
- **Use the power tool, accessories and tool bits etc. in accordance with these instructions, taking into account the working conditions and the work to be performed.** Use of the power tool for operations different from those intended could result in a hazardous situation.
- **Keep handles and grasping surfaces dry, clean and free from oil and grease.** Slippery handles and grasping surfaces do not allow for safe handling and control of the tool in unexpected situations.

Battery Tool Use and Care

- **Recharge only with the charger specified by the manufacturer.** A charger that is suitable for one type of battery pack may create a risk of fire when used with another battery pack.
- **Use power tools only with specifically designated battery packs.** Use of any other battery packs may create a risk of injury and fire.
- **When battery pack is not in use, keep it away from other metal objects, like paper clips, coins, keys, nails, screws or other small metal objects, that can make a connection from one terminal to another.** Shorting the battery terminals together may cause burns or a fire.
- **Under abusive conditions, liquid may be ejected from the battery; avoid contact. If contact accidentally occurs, flush with water. If liquid contacts eyes, additionally seek medical help.** Liquid ejected from the battery may cause irritation or burns.
- **Do not use a battery pack or tool that is damaged or modified.** Damaged or modified batteries may exhibit unpredictable behavior resulting in fire, explosion or risk of injury.
- **Do not expose a battery pack or tool to fire or excessive temperature.** Exposure to fire or temperature above 130°C may cause explosion.
- **Follow all charging instructions and do not charge the battery pack or tool outside the temperature range specified in the instructions.** Charging improperly or at temperatures outside the specified range may damage the battery and increase the risk of fire.

Service

- **Have your power tool serviced by a qualified repair person using only identical replacement parts.** This will ensure that the safety of the power tool is maintained.
- **Never service damaged battery packs.** Service of battery packs should only be performed by the manufacturer or authorized service providers.

Safety Instructions for Drill/Driver

- **Hold the power tool by insulated gripping surfaces, when performing an operation where the cutting accessory or fasteners may contact hidden wiring.** Cutting accessory contacting a "live" wire may make exposed metal parts of the power tool "live" and could give the operator an electric shock.

Safety Instructions when Using Long Drill Bits

- **Never operate at higher speed than the maximum speed rating of the drill bit.** At higher speeds, the bit is likely to bend if allowed to rotate freely without contacting the workpiece, resulting in personal injury.
- **Always start drilling at low speed and with the bit tip in contact with the workpiece.** At higher speeds, the bit is likely to bend if allowed to rotate freely without contacting the workpiece, resulting in personal injury.
- **Apply pressure only in direct line with the bit and do not apply excessive pressure.** Bits can bend causing breakage or loss of control, resulting in personal injury.

Additional Safety Information

- **Secure the workpiece.** A workpiece clamped with clamping devices or in a vice is held more secure than by hand.
- **Always wait until the power tool has come to a complete stop before placing it down.** The application tool can jam and cause you to lose control of the power tool.
- **Switch the power tool off immediately if the application tool becomes blocked.** **Be prepared for high torque reactions which cause kickback.** The application tool becomes blocked when it becomes jammed in the workpiece or when the power tool becomes overloaded.
- **Use suitable detectors to determine if there are hidden supply lines or contact the local utility company for assistance.** Contact with electric cables can cause fire and electrical shock. Damaging gas lines can lead to explosion. Breaking water pipes causes property damage.

- **Hold the power tool securely.** When tightening and loosening screws be prepared for temporarily high torque reactions.
- **In case of damage and improper use of the battery, vapours may be emitted. The battery can set alight or explode.** Ensure the area is well ventilated and seek medical attention should you experience any adverse effects. The vapours may irritate the respiratory system.
- **Do not open the battery.** There is a risk of short-circuiting.
- **The battery can be damaged by pointed objects such as nails or screwdrivers or by force applied externally.** An internal short circuit may occur, causing the battery to burn, smoke, explode or overheat.
- **Only use the battery with products from the manufacturer.** This is the only way in which you can protect the battery against dangerous overload.
- **Protect the battery against heat, e.g. against continuous intense sunlight, fire, dirt, water and moisture.** There is a risk of explosion and short-circuiting.



All products bearing this symbol are waste electrical and electronic equipment (WEEE as in directive 2012/19/EU) which should not be mixed with unsorted household waste. Instead, you should protect human health and the environment by handing over your waste equipment to a designated collection point for the recycling of waste electrical and electronic equipment, appointed by the government or local authorities. Correct disposal and recycling will help prevent potential negative consequences to the environment and human health. Please contact the installer or local authorities for more information about the location as well as terms and conditions of such collection points.

UK declaration of conformity



We, Shanghai HOTO Technology Co., Ltd., hereby, declares that this equipment is in compliance with the applicable Legislation. The full text of the UK declaration of conformity is available at the following internet address: <https://www.mi.com/uk/service/support/declaration.html>

Troubleshooting

Error	Cause	Solution
Drill stops rotating during use with E3 or E9 displayed	After unused for a long time, the battery gets too hot.	Leave the device cooling down to room temperature.
Drill stops rotating during use with E1 displayed	The battery is depleted.	Charge the battery.
Unable to install drill bit	The drill bit is in wrong size for the chuck.	Use a drill bit that comes with the drill or use one that is ≤ 10 mm in diameter.
Drill doesn't start after pressing the switch trigger	The trigger is locked as the forward/lock/reverse button stays in the middle position.	Push the forward/lock/reverse button to the left or right (when looking at the drill from the back towards the chuck).
Unable to charge the battery	The USB cable isn't plugged in or the included charging cable isn't being used.	Check whether the battery indicator is on and whether use the charging cable that comes with the drill.

05 Specifications

Model: MJWSZNJYDZ001QW	Drill Bit: Metal Drill Bits: 3/4/5/6
Item Dimensions: 185.5 × 179 × 51.5 mm	Wood Drill Bits: 4/5/6/7
Max. Torque: 30 N·m	Bit Size: C6.3 × 25 mm
Rated Input: 5 V= 3 A, 9 V= 1.5 A	Phillips-head: PH1/PH2/PH2/PH3
Rated Voltage: 12 V=	Pozidriv: PZ1/PZ2/PZ2/PZ3
Battery Capacity: 2000 mAh	Torx with a Hole: T9H/T10H/T15H/T20H/T25H
Battery Type: Lithium-ion battery pack	Hex: H3/H4/H5/H6
Charging Time: 120–180 min	Standard: SL4 /SL6
Net Weight: Approx. 870 g	Y Shape: Y1
Unloaded Rotational Speed:	Triangular: 2.3
0–1400 /min (drilling mode)	Square: S0/S1
0–370 /min (screwing mode)	U Shape: U2.6
Bit Extension: 60 mm	

Battery Charger Input: 100–240 V~, 50/60 Hz, 0.6 A

Battery Charger Output: 5.0 V= 3.0 A 15.0 W, 9.0 V= 2.23 A 20.0 W

Only use the genuine battery charger (model: MDY-11-EN) to charge.

Declaration of the noise emission values according to EN 62841

(considered uncertainty 5 dB(A))

Sound pressure level: 70.7 dB(A)

Sound power level: 81.7 dB(A)

Declaration of the vibration emission according to EN 62841

(considered uncertainty 1.5 m/s²): 0.966 m/s²

Note:

• Metal drill bits are black (only suitable for drilling holes in metal) and wood drill bits are silver (only suitable for drilling holes in plastic and wood). As driver bits/drill bits are consumables, and PH2 and PZ2 are the most frequently used, two of each have been supplied.

• The unloaded rotational speed has a tolerance of ±10%. Due to differences in measuring equipment, the maximum torque error is ±5 N·m.

Information:

- The declared vibration total value(s) and the declared noise emission value(s) have been measured in accordance with a standard test method and may be used for comparing one tool with another;
- The declared vibration total value(s) and the declared noise emission value(s) may also be used in a preliminary assessment of exposure.

Warning:

- The vibration and noise emissions during actual use of the power tool can differ from the declared values depending on the ways in which the tool is used especially what kind of workpiece is processed; and
- It is necessary to identify safety measures to protect the operator that are based on an estimation of exposure in the actual conditions of use (taking account of all parts of the operating cycle such as the times when the tool is switched off and when it is running idle in addition to the trigger time).

The battery is undetachable.

Manufactured for: Xiaomi Communications Co., Ltd.

Manufactured by: Shanghai HOTO Technology Co., Ltd.

(a Mi Ecosystem company)

Address: Building 45, No.50 Moganshan Road, Shanghai, China

For further information, please go to www.mi.com

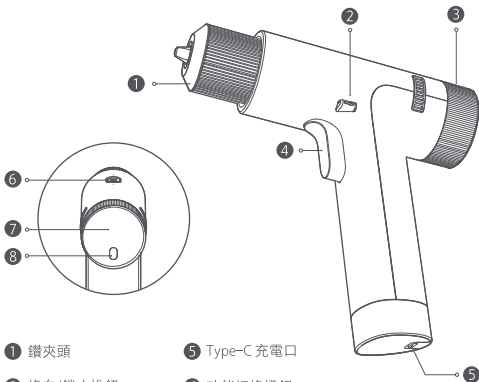
User Manual Version: V1.0

使用產品前請仔細閱讀本說明書，並妥善保管。

01 產品介紹

感謝使用小米智能無刷電鑽。

本產品用於擰緊和擰鬆螺絲以及在木材、金屬、塑膠和磚塊上鑽孔，不適合在譬如混凝土、石材等過硬的材料上鑽孔使用。使用時請根據材料選擇合適的鑽頭。



① 鑽夾頭

② 換向/鎖止推鈕

③ 扭力/轉速調節旋鈕

④ 開關扳機

⑤ Type-C 充電口

⑥ 功能切換撥鈕

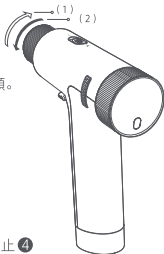
⑦ 顯示螢幕

⑧ 模式切換按鈕

02 使用說明

批頭/鑽頭安裝說明

- 按照圖示 (1) 方向旋轉夾頭，鬆開夾頭直至可以插入批頭/鑽頭，裝入批頭/鑽頭後按圖示箭頭 (2) 旋轉夾頭直至批頭/鑽頭鎖緊。
- 安裝批頭和鑽頭時，三個夾爪都要夾緊批頭/鑽頭。



主開關/開關扳機

- 無極變速開關。
- 隨著按壓力度的增加，轉速隨之增加。

換向/鎖止推鈕

通過 ② 換向/鎖止推鈕，可變更電鑽旋轉方向或鎖止 ④ 主開關/開關扳機。

- 正轉：鑽孔/擰入螺絲時，向左按壓 ② 換向/鎖止推鈕，直至極限位置。此時顯示螢幕“↶”圖示亮起。
- 逆轉：鬆開/擰出螺絲時，向右按壓 ② 換向/鎖止推鈕，直至極限位置。此時顯示螢幕“↷”圖示亮起。
- 鎖止 ④ 主開關/開關扳機：將 ② 換向/鎖止推鈕推至中間。此時顯示螢幕無“↶”“↷”圖示。

功能切換撥鈕

- 螺釘功能：⑥ 功能切換撥鈕推動到螺釘檔位處“T”，按壓 ④ 主開關/開關扳機，機器低速運轉，適合擰緊/擰松螺絲操作。
- 鑽孔功能：⑥ 功能切換撥鈕推動到鑽頭檔位處“！”，按壓 ④ 主開關/開關扳機，機器高速運轉，適合鑽孔操作。

模式切換按鈕

螺釘功能：

- 自動模式檔位 “A”。
- 脈衝模式檔位 “~”。
- 自選扭力模式檔位 “M”：30 個扭力檔。

鑽孔功能：

- 滿載功率模式檔位 “A”。
- 脈衝模式檔位 “~”。
- 自選轉速模式檔位 “M”：
30 個轉速調節檔位。



顯示螢幕

- 開機狀態下，**2** 換向/鎖止推鈕處於中間位置時，10 秒內無任何操作，**7** 顯示螢幕自動關閉。
- 開機狀態下，**2** 換向/鎖止推鈕處於左側或右側時，60 秒內無任何操作，**7** 顯示螢幕自動關閉。

充電

- 低電量：充電指示圖示 “” 紅燈閃爍。
- 充電中：充電指示圖示 “” 紅燈呼吸。
- 充電完畢：充電指示圖示 “” 白燈常亮。

提示：充電時電鑽不工作，本產品配一根 USB 充電線，通用 Type-C 充電接口。

03 新手建議

如何選擇模式

- 自選扭力/轉速模式“**M**”：建議從較低扭力/轉速檔位（1~5 檔）開始嘗試。若扭力/轉速不夠時，可以逐檔增加。
- 自動模式“**A**”：無需調節扭力，機器在遇到一定阻力時會自動停止。（譬如螺絲已旋擰到底）。
- 脈衝模式“**⚡**”：機器會以較低的速度間歇運轉，適合新手學習與熟悉操作，可規避鑽頭在工件表面滑動，批頭將螺絲打花的情況。

機器使用技巧

- 預打孔：避免打歪，可先試用電鑽 1~5 檔或脈衝模式低速預打孔。
- 使用安全：因為產品扭矩大，在擰緊和擰松螺釘時，可能出現強大的反作用扭力，使用時請務必握緊電鑽和雙手握持使用。

螺釘功能

自選扭力模式“**M**”：

通過尾端  扭力/轉速調節旋鈕，可根據實際情況手動調節扭力大小。

1~15 檔扭力：

- 對於易變性、開裂或質地較軟的材料：建議不要超過 5 檔並從 1 檔開始嘗試，可防止扭力過大，損傷元件。
- 對於較堅硬材料：建議從 5 檔以下開始嘗試；如果無法旋動，可稍微調大扭力。
- 在旋出場景下，如果力度不夠，建議稍微調大扭力；1~15 檔扭力基本可覆蓋家中常用場景，譬如家具拆裝、物件維修等。

16~30 檔扭力：

適用於連接和固定較大的板材，配合使用尺寸較大的自攻螺絲。

注意：在 16~30 檔位使用時，工具的輸出扭力較高，請雙手握持使用以防止過大的反作用力擰傷手腕，保證使用安全。

自動模式 “A”：

無需調節扭力，可根據情況自動調節，適用於不太熟悉的使用場景。

新手場景：自動調整扭力檔位，較易於控制。建議在已有預設孔的情況下使用。自動模式下，機器由於木材密度不均可能出現停轉的情況。

脈衝模式 “↘”：（更加安全）

轉速較低、間歇起停旋轉。

- 較易於控制，推薦新手階段使用。
- 可減少螺絲和批頭打滑、損傷。
- 軟質材料場景：減少質地較軟的材質損傷。

鑽孔功能

自選轉速模式 “M”：

通過尾端 ③ 扭力/轉速調節旋鈕，可自主根據實際情況調節轉速高低。

- 預打孔建議 1~5 檔，如果轉速不夠，可以逐漸增加檔位，轉速會隨之變快。
- 轉速 1~30 檔：轉速會根據檔位提高而逐漸增加。

滿載功率模式 “A”：

保持最高輸出，等同於自選轉速模式 “M” 的 30 檔。

脈衝模式 “↘”：

適用於光滑的玻璃、瓷磚等表面，便於打孔定位、防止打滑（預打孔）。

注意：本電鑽非手自一體，不能手動擰螺釘。禁止使用機器慣性鎖緊夾頭。

04 安全警告

警告！ 閱讀隨電動工具提供的所有安全警告、說明、圖示和規定。不遵照以下所列說明會導致電擊、著火和/或嚴重傷害。

儲存所有警告和說明書以備查閱。

警告中的術語「電動工具」是指市電驅動（有線）電動工具或電池驅動（無線）電動工具。

工作場地的安全

- 保持工作場地清潔和明亮。雜亂和黑暗的場地會引發事故。
- 不要在易爆環境，如有易燃液體、氣體或粉塵的環境下操作電動工具。電動工具產生的火花會點燃粉塵或氣體。
- 操作電動工具時，遠離兒童和旁觀者。注意力不集中會使您失去對工具的控制。

電氣安全

- 電動工具插頭必須與插座相配。絕不能以任何方式改裝插頭。需接地的電動工具不能使用任何轉換插頭。未經改裝的插頭和相配的插座將降低電擊風險。
- 避免人體接觸接地表面，如管道、散熱片和冰箱。如果您的身體接觸接地表面，會增加電擊風險。
- 不得將電動工具暴露在雨中或潮濕環境中。水進入電動工具將增加電擊風險。
- 不得濫用軟線。絕不能用軟線搬運、拉動電動工具或拔出其插頭。使軟線遠離熱源、油、銳邊或運動部件。受損或纏繞的軟線會增加電擊風險。
- 當在戶外使用電動工具時，使用適合戶外使用的延長線。適合戶外使用的電線將降低電擊風險。
- 如果無法避免在潮濕環境中操作電動工具，應使用帶有剩餘電流裝置 (RCD) 保護的電源。RCD 的使用可降低電擊風險。

人身安全

- 保持警覺，當操作電動工具時，關注所從事的操作並保持清醒。當感到疲倦或在有藥物、酒精或治療反應時，不要操作電動工具。操作電動工具時瞬間的疏忽會導致嚴重人身傷害。
- 使用個人防護裝置。始終佩戴護目鏡。防護裝置，諸如適當條件下使用防塵面具、防滑安全鞋、安全帽、聽力防護等裝置能減少人身傷害。
- 防止意外啟動。在連接電源和 / 或電池組、拿起或搬運工具前確保開關處於關斷位置。手指放在開關上搬運工具或開關處於接通時通電會導致危險。
- 在電動工具接通之前，拿掉所有調節鑰匙或扳手。遺留在電動工具旋轉零件上的扳手或鑰匙會導致人身傷害。
- 手不要過分伸展。時刻注意立足點和身體平衡。這樣能在意外情況下更好地控制住電動工具。
- 著裝適當。不要穿寬鬆衣服或佩戴飾品。讓您的頭髮和衣服遠離運動部件。寬鬆衣服、配飾或長髮可能會捲入運動部件。
- 如果提供了與排屑、集塵裝置連接用的裝置，要確保其連接完好且使用得當。使用集塵裝置可降低塵屑引起的危險。
- 不要因為頻繁使用工具產生的熟悉感而掉以輕心，忽視工具的安全準則。某個粗心的動作可能在瞬間導致嚴重的傷害。

電動工具使用和注意事項

- 不要勉強使用電動工具，根據用途使用合適的電動工具。選用合適的按照額定值設計的電動工具會使您的工作更有效、更安全。
- 如果開關不能接通或關斷電源，則不能使用該電動工具。不能使用通用開關來控制的電動工具是危險的且必須進行修理。
- 在進行任何調節、更換附件或儲存電動工具之前，必須從電源上拔掉插頭和 / 或卸下電池組（如可拆卸）。這種防護性的安全措施降低了電動工具意外啟動的風險。
- 將閒置不用的電動工具儲存在兒童所及範圍之外，並且不允許不熟悉電動工具和不瞭解這些說明的人操作電動工具。電動工具在未經培訓的用戶手中是危險的。
- 維護電動工具及其附件。檢查運動部件是否調整到位或卡住，檢查零件破損情況和影響電動工具允許的其他狀況。如有損壞，應在使用前修好電動工具。許多事故是由維護不良的電動工具引發的。
- 保持切削刀具的鋒利和清潔。維護良好的有鋒利切削刀的刀具不易卡住而且容易控制。
- 按照使用說明書，並考慮作業條件和要進行的作業來選擇電動工具、附件和工具的刀頭等。將電動工具用於那些與其用途不符的操作可能會導致危險情況。
- 保持手柄和握持表面乾燥、清潔，不得沾有油脂。在意外的情況下，濕滑的手柄不能保持握持的安全和對工具的控制。

電池式工具使用和注意事項

- 僅使用生產者規定的充電器充電。將適用於某種電池組的充電器用到其他電池組時可能會發生著火危險。
- 僅使用配有專用電池組的電動工具。使用其他電池組可能會產生傷害和著火危險。
- 當電池組不用時，將它遠離其他金屬物體，例如迴紋針、硬幣、鑰匙、釘子、螺釘或其他小金屬物體，以防電池組一端與另一端連接。電池組端部短路可能會引起燃燒或著火。
- 在濫用條件下，液體可能會從電池組中濺出；應避免接觸。如果意外碰到液體，用水沖洗。如果液體碰到了眼睛，還應尋求醫療幫助。從電池中濺出的液體可能會發生腐蝕或燃燒。
- 不要使用損壞或改裝過的電池組或工具。損壞或改裝過的電池組可能呈現無法預測的結果，導致著火、爆炸或傷害。
- 不要將電池組暴露於火或高溫中。電池組暴露於火中或高於 130° C 的高溫中可能導致爆炸。
- 請完全遵照所有的充電說明，電池組或工具的溫度若是超出指示的規定範圍，請勿進行充電。不當充電或是未在規定的溫度範圍內進行充電，皆可造成電池損壞並面臨更高的著火風險。

維修

- 讓專業維修人員使用相同的備件維修電動工具。這將保證所維修的電動工具的安全。
- 絕不能維修損壞的電池組。電池組僅能由生產者或其授權的維修服務商進行維修。

手持式螺絲批和衝擊扳手安全警告

- 當在鑽削附件可能觸及暗線的場合進行操作時，通過絕緣握持面握持工具。鑽削附件碰到帶電導線會使工具外露金屬零件帶電而使操作者遭受電擊。

使用長鑽頭時的安全說明

- 操作時請勿超出鑽頭的最大額定轉速。在較高轉速下，如果讓鑽頭在不接觸工件的情況下隨意旋轉，很可能導致其彎折，從而引發人身傷害。
- 務必以低轉速開始鑽孔，並讓鑽頭尖端與工件接觸。在較高轉速下，如果讓鑽頭在不接觸工件的情況下隨意旋轉，很可能導致其彎折，從而引發人身傷害。
- 施壓時務必與鑽頭成一直線，且不得施加過大壓力。若鑽頭彎折會導致其損壞或失控，從而引發人身傷害。

其他安全規章

- 固定好工件。使用固定裝置或老虎鉗固定工件，會比用手握持工件更牢固。
- 等待電動工具完全靜止後才能放下機器。機器上的工具可能在工作中被夾住，而令您無法控制電動工具。
- 當工具刀頭被夾住時，請立即關閉電動工具，以防反作用力矩導致反彈。當電動工具超載或向待加工工件傾斜時，工具刀頭就會卡住。
- 使用合適的偵測裝置偵測隱藏的電線，或者向當地的相關單位尋求支援。接觸電線可能引起火災並讓操作者觸電。損壞的氣體管道會引起爆炸。如果水管被刺穿了，會導致財務損失。

- 請緊握電動工具。擰緊和擰鬆螺絲時，瞬間可能會有較大的反作用力。
- 如果充電電池損壞或者未按照規定使用，充電電池中會散發出有毒蒸汽。充電電池可能會燃燒或爆炸。工作場所必須保持空氣流通，如果身體有任何不適，必須馬上就醫。蒸汽會刺激呼吸道。
- 請勿開啟充電電池。可能造成短路。
- 釘子、螺絲刀等尖銳物品或外力作用可能會損壞充電電池。有可能出現內部短路、蓄電池燃燒、發出煙霧、爆炸或過熱。
- 只能將此充電電池用在製造商的產品中。這樣才能確保充電電池不會超載。
- 保護充電電池免受高溫（例如長期陽光照射）、火焰、髒污、水和濕氣的侵害。有爆炸和短路的危險。

一般故障及排除方法

故障	原因	排除方法
操作時，機器停止旋轉 E3、E9	長時間未使用，電池溫度過高	將機器放置至室溫
操作時，機器停止旋轉 E1	鋰電池電量耗盡	充電
鑽頭不能安裝	鑽頭尺寸與夾頭不匹配	使用配件盒中的鑽頭或者使用直徑 ≤ 10 mm 的鑽頭
按住開關，產品不運轉	中間位置，開關扳機鎖止	換向推塊（從機器尾部往鑽夾頭方向看）向左或向右推出
電池無法充電	USB 線未插好或未使用規定的充電線	檢查充電指示燈是否亮起，使用規定的充電線

05 基本規格

產品型號: MJWSZNJYDZ001QW	鑽頭型號: 金屬鑽: 3/4/5/6
產品尺寸: 185.5 × 179 × 51.5 mm	木工鑽: 4/5/6/7
最大扭矩: 30 N·m	批頭規格: C6.3 × 25 厘米
額定輸入: 5 V=3 A, 9 V=1.5 A	十字: PH1/PH2/PH2/PH3
額定電壓: 12 V=	米字: PZ1/PZ2/PZ2/PZ3
電池容量: 2000 mAh	空心梅花: T9H/T10H/T15H/T20H/T25H
電池類型: 鋰離子電池組	內六角: H3/H4/H5/H6
充電時間: 120–180 分鐘	一字: SL4 /SL6
淨重: 約 870 克	Y型: Y1
空載轉速:	三角: 2.3
0–1400 /min (電鑽檔)	四角: S0/S1
0–370 /min (螺絲檔)	U型: U2.6
延長杆: 60 厘米	

電池充電器輸入: 100–240 V~, 50/60 Hz, 0.6 A

電池充電器輸出: 5.0 V=3.0 A 15.0 W, 9.0 V=2.23 A 20.0 W

僅使用原廠電源適配器 (型號: MDY-11-EN) 來充電。

依據 EN 62841 (已考量不確定性 5 dB(A)) 宣稱的噪音排放值

聲壓等級: 70.7 dB(A)

聲功率等級: 81.7 dB(A)

依據 EN 62841 (已考量不確定性 1.5 m/s²) 宣稱的振動排放值: 0.966 m/s²

注意:

- 金屬鑽為黑色 (只適用於金屬材質打孔), 木工鑽為銀色 (只適用於塑膠、木頭類材質打孔)。批頭、鑽頭均為耗材, PH2/PZ2 為最常用型號, 因此各配置了 2 個。
 - 空載轉速公差約 ±10%。由於測量裝置的差異, 最大扭矩誤差 ±5 N·m。
-

資訊：

- 宣告的震動總值和宣告的噪音排放值已依據標準測試方法測量，可能會用於兩個工具之間的比較；
- 宣告的震動總值和宣告的噪音排放值也可能用於曝光的初步評估。

警告：

- 依據電動工具的使用方式（尤其是所要處理的工件類型），實際使用期間產生的震動和噪音排放可能與宣告的值有所不同；且
- 必須依據實際使用條件（考慮到操作週期內的所有方面，例如觸發時間、工具被關閉的次數以及工具在閒置狀態下運作的次數）下的曝光評估來確定安全措施，以保護操作員。

電池不可拆卸。

有關保固條例請參考小米售後服務細則

<http://www.mi.com/hk/service> (香港)

服務電話：852-30773620

本產品售後服務請查詢官網：www.mi.com/hk/service

製造商：上海器外文化科技有限公司

(小米生態鏈企業)

製造商地址：上海市普陀區莫幹山路 50 號 45 幢

說明書版本號：V1.0

EU REP.

Xiaomi Technology Netherlands B.V.

Prinses Beatrixlaan 582, 2595BM, The Hague, The Netherlands

contact@support.mi.com

UK REP.

Xiaomi Technology UK Limited

Davidson House, Forbury Square, Reading, Berkshire RG1 3EU

contact@support.mi.com

